



aerospace  
climate control  
electromechanical  
filtration  
fluid & gas handling  
hydraulics  
**pneumatics**  
process control  
sealing & shielding



# Pneumatic cylinders


Series P1S - Ø10 to Ø125 mm  
According to ISO 6432 - 6431

Catalogue PDE2535TCUK September 2016




ENGINEERING YOUR SUCCESS.

<b>Contents</b>	<b>Page</b>
Stainless steel cylinders, general information.....	3
Cylinder forces.....	5
P1S-S, ISO 6432, Ø10-Ø25 .....	6
Main data .....	6
Cushioning diagram.....	7
Material specification .....	7
Dimensions .....	8
Stroke length .....	9
Order key .....	9
Guide to selecting tubing .....	10-11
Mountings .....	12-14
P1S- ISO 6431, Ø32-Ø125 .....	15
Main data .....	15
Cylinder forces.....	15
Cushioning diagram.....	15
Stroke length .....	16
Order key .....	16
Dimensions Ø32-Ø63.....	17
Material specification Ø32-Ø63.....	17
Dimensions Ø80-Ø125 .....	18
Material specification Ø80-Ø125.....	18
Mountings .....	19-22
Sensors.....	23-26
Seal kits for P1S cylinders.....	27
Grease .....	27




**Important**

Before attempting any external or internal work on the cylinder or any connected components, make sure the cylinder is vented and disconnect the air supply in order to ensure isolation of the air supply.



**Note**

All technical data in this catalogue are typical data only.  
Air quality is essential for maximum cylinder service life (see ISO 8573).



**WARNING**

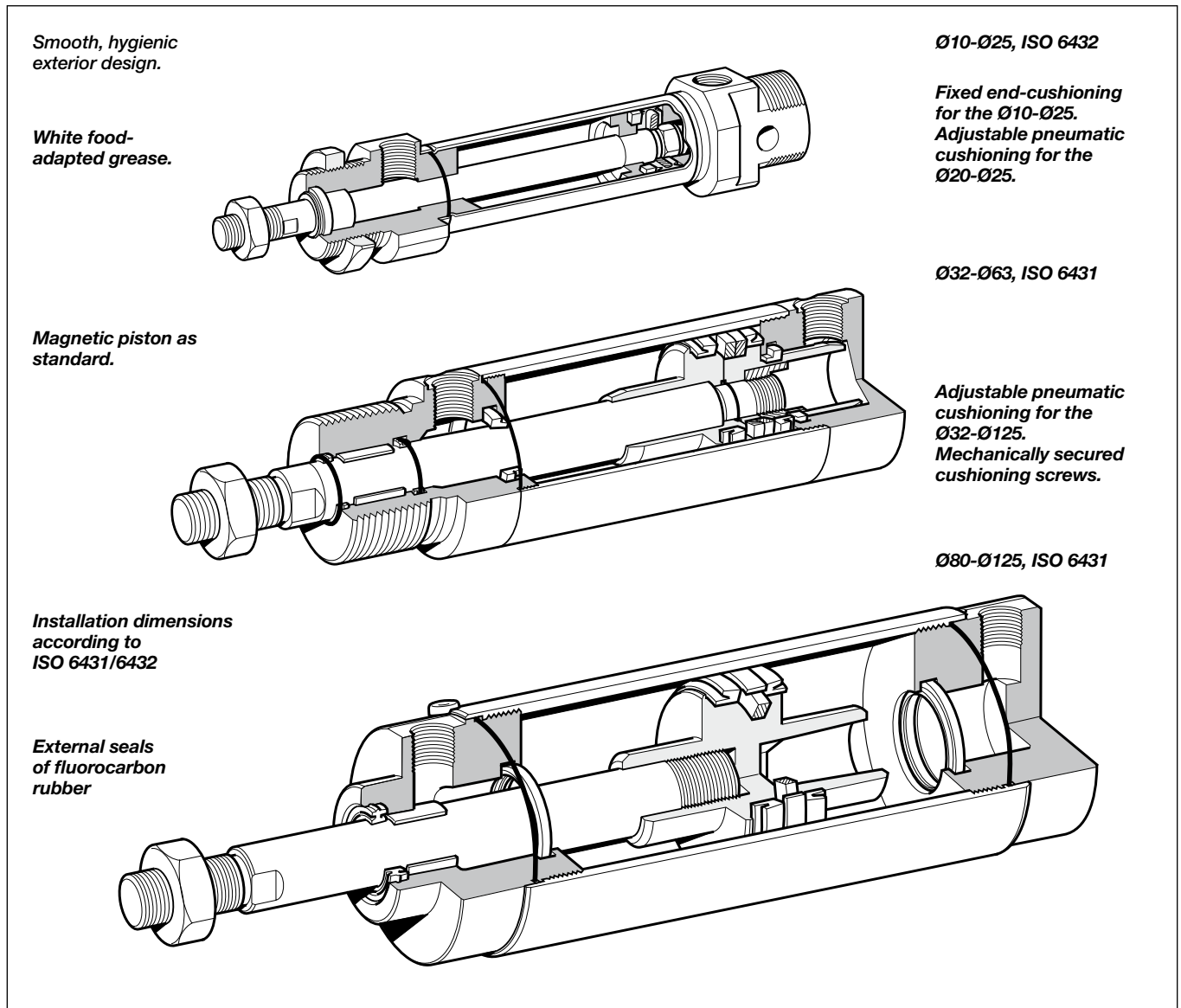
**FAILURE OR IMPROPER SELECTION OR IMPROPER USE OF THE PRODUCTS AND/OR SYSTEMS DESCRIBED HEREIN OR RELATED ITEMS CAN CAUSE DEATH, PERSONAL INJURY AND PROPERTY DAMAGE.**

This document and other information from Parker Hannifin Corporation, its subsidiaries and authorized distributors provide product and/or system options for further investigation by users having technical expertise. It is important that you analyze all aspects of your application and review the information concerning the product or system in the current product catalog. Due to the variety of operating conditions and applications for these products or systems, the user, through its own analysis and testing, is solely responsible for making the final selection of the products and systems and assuring that all performance, safety and warning requirements of the application are met. The products described herein, including without limitation, product features, specifications, designs, availability and pricing, are subject to change by Parker Hannifin Corporation and its subsidiaries at any time without notice.

**SALE CONDITIONS**

The items described in this document are available for sale by Parker Hannifin Corporation, its subsidiaries or its authorized distributors. Any sale contract entered into by Parker will be governed by the provisions stated in Parker's standard terms and conditions of sale (copy available upon request).

# P1S Series Stainless Steel Pneumatic Cylinders



## Stainless steel cylinders

Parker Pneumatic's range of stainless steel cylinders has been specially designed for use in difficult environments. Hygienic design, external seals of fluorinated rubber and prelubrication with our food-industry-approved grease according to USDA-H1 make the cylinders particularly suitable for food industry use. All cylinders have magnetic pistons for proximity position sensing. Fixing dimensions to ISO 6431/6432 simplify installation and make the cylinders physically interchangeable throughout the world.

### ISO 6432

The cylinders are available in two versions. One with fixed end-cushioning and is available in 10, 12, 16, 20 and 25 mm diameters. A single-acting version with spring return in the negative direction, is available in the same diameters.

One version has adjustable pneumatic end-cushioning and is available in 20 and 25 mm diameters.

### ISO 6431

The ISO cylinders are double-acting round cylinders with several types of cylinder mountings as standard. The cylinders are available in 32 to 125 mm diameters, incorporating adjustable end-cushioning. As with the ISO 6432 it is designed to comply with hygiene requirements in accordance with the EU Machine Directive.

The cylinder can be dismantled to facilitate service and maintenance.



= Products suitable for the food industry.

## P1S Series Stainless Steel Pneumatic Cylinders

### Stainless steel construction

The cylinders are made for use in particularly demanding environments. The piston rod, cylinder tube and end covers are all of stainless steel.

### Effective end-cushioning

A version of ISO 6432 Ø10-Ø25 incorporates fixed end-cushioning, while the cylinders Ø20-Ø125 have pneumatic end-cushioning with adjusting screws for exact setting, permitting heavier loads and higher speeds for short cycle times.

### Smooth external design

The end covers have no recesses or other grooves that could collect dirt or liquid. Cleaning is easy and effective.

### Dry operation

Particular attention has been paid to the design of the cylinders' scraper rings, piston rod bearings and piston rod seals. Self-lubricating materials permit regular washing/degreasing of the piston rod. This is important in applications where hygiene and cleaning must be of high standard.

### Proximity position sensing

All cylinders in normal temperature design are fitted with a magnet for proximity position sensing. Electronic type sensors and reed switches are available. They are supplied with either flying lead or cable plug connector.

### Complete range of mountings

A complete range of stainless steel mounting accessories with ISO dimensions is available.

### Variants

In addition to the basic design, several standard variants of these stainless steel cylinders are available to fulfill more demanding requirements in terms of performance and environmental conditions:

Cylinders with special stroke lengths

Cylinders with extended piston rods

Through piston rods (not Ø32-Ø63)

Single-acting cylinders with spring return, (Ø10-Ø25)

High-temperature versions for operation in temperature range  
Ø10 to Ø16 mm from -10 °C to +120 °C (not magnetic pistons)  
Ø20 to Ø125 mm from -10 °C to +150 °C (not magnetic pistons)

Low-temperature versions for operation in temperature range  
from -40 °C to +60 °C (not magnetic pistons, not Ø32-Ø63)



Double acting Ø10-Ø25, fixed end-cushioning



Double acting Ø20-Ø25, adjustable end-cushioning



Double acting Ø10-Ø25, through piston rod



Single acting Ø10-Ø25, spring return



Double acting Ø32-Ø63



Double acting Ø80-Ø125

# P1S Series Stainless Steel Pneumatic Cylinders

## Cylinder forces, double acting variants

Cyl. bore/ pist. rod mm	Stroke	Piston area cm <sup>2</sup>	Max theoretical force in N (bar)									
			1.0	2.0	3.0	4.0	5.0	6.0	7.0	8.0	9.0	10.0
<b>10/4</b>	+	0.8	8	16	24	31	39	<b>47</b>	55	63	71	79
	-	0.7	7	13	20	26	33	<b>40</b>	46	53	59	66
<b>12/6</b>	+	1.1	11	23	34	45	57	<b>68</b>	79	90	102	113
	-	0.8	8	17	25	34	42	<b>51</b>	59	68	76	85
<b>16/6</b>	+	2.0	20	40	60	80	100	<b>120</b>	141	161	181	201
	-	1.7	17	35	52	69	86	<b>104</b>	121	138	156	173
<b>20/8</b>	+	3.1	31	63	94	126	157	<b>188</b>	220	251	283	314
	-	2.6	26	53	79	106	132	<b>158</b>	185	211	238	264
<b>25/10</b>	+	4.9	49	98	147	196	245	<b>295</b>	344	393	442	491
	-	4.1	41	82	124	165	206	<b>247</b>	289	330	371	412

+ = Outward stroke  
- = Return stroke

**Note!**  
Select a theoretical force 50-100% larger than the force required

## Cylinder forces single acting variants

Indicated cylinder forces are theoretical and should be reduced according to the working conditions.

Order code	Theoretical piston force at 6 bar				Order code	Theoretical piston force at 6 bar			
	Nmax	Nmin	Spring retraction Nmax	Nmin		Nmax	Nmin	Spring retraction Nmax	Nmin
<b>Single acting, spring return</b>					<b>Single acting, spring-extended</b>				
P1S-S010SS-0010	38	36	10	8.5	P1S-S16TS-0010	85	84	22.3	20.2
P1S-S010SS-0015	38	36	10	7.8	P1S-S16TS-0015	86	84	22.3	19
P1S-S010SS-0025	39	36	10	6.6	P1S-S16TS-0025	88	84	22.3	17
P1S-S010SS-0040	38	34	13	9	P1S-S16TS-0040	90	84	22.3	14
P1S-S010SS-0050	39	34	13	8	P1S-S16TS-0050	91	84	22.3	12
P1S-S010SS-0080	39	34	12	7					
P1S-S12SS-0010	53	51	16	14.4	P1S-S20TS-0010	132	130	30	28
P1S-S12SS-0015	53	51	16	13.6	P1S-S20TS-0015	133	130	30	27
P1S-S12SS-0025	55	51	16	12	P1S-S20TS-0025	135	130	30	25
P1S-S12SS-0040	52	48	19	13.4	P1S-S20TS-0040	138	130	30	22
P1S-S12SS-0050	53	48	19	12	P1S-S20TS-0050	140	130	30	20
P1S-S12SS-0080	55	48	21.4	12	P1S-S20TS-0080	139	108	31	17
P1S-S16SS-0010	102	99	22.3	20.2	P1S-S25TS-0010	205	203	38.5	36
P1S-S16SS-0015	103	99	22.3	19	P1S-S25TS-0015	207	203	38.5	34.7
P1S-S16SS-0025	105	99	22.3	17	P1S-S25TS-0025	210	203	38.5	32
P1S-S16SS-0040	106	95	22.3	14	P1S-S25TS-0040	214	203	38.5	28.5
P1S-S16SS-0050	108	95	22.3	12	P1S-S25TS-0050	217	203	38.5	26
P1S-S16SS-0080	107	95	22.5	12	P1S-S25TS-0080	223	206	36	21
P1S-S20SS-0010	163	161	30	28					
P1S-S20SS-0015	164	161	30	27					
P1S-S20SS-0025	167	161	30	25					
P1S-S20SS-0040	166	159	30	22					
P1S-S20SS-0050	168	159	30	20					
P1S-S20SS-0080	170	161	29.4	18					
P1S-S25SS-0010	256	253	44.3	41.4					
P1S-S25SS-0015	258	253	44.3	40					
P1S-S25SS-0025	262	253	44.3	37					
P1S-S25SS-0040	261	250	44.3	32					
P1S-S25SS-0050	264	250	44.3	30					
P1S-S25SS-0080	264	251	44.4	30					

## Main data

Cylinder designation	Cylinder bore		Piston rod		thread	Total mass		Air consumption	Conn. thread
	mm	cm <sup>2</sup>	mm	cm <sup>2</sup>		at 0 mm stroke	addition per 10 mm stroke		
	mm	cm <sup>2</sup>	mm	cm <sup>2</sup>		kg	kg	litres	
<b>Double acting, cushioned stroke</b>									
P1S-S10D	10	0.78	4	0.13	M4	0.04	0.003	0.0100 <sup>1)</sup>	M5
P1S-S12D	12	1.13	6	0.28	M6	0.07	0.004	0.0139 <sup>1)</sup>	M5
P1S-S16D	16	2.01	6	0.28	M6	0.09	0.005	0.0262 <sup>1)</sup>	M5
P1S-S20D	20	3.14	8	0.50	M8	0.18	0.007	0.0405 <sup>1)</sup>	G1/8
P1S-S25D	25	4.91	10	0.78	M10x1.25	0.25	0.011	0.0633 <sup>1)</sup>	G1/8
<b>Double acting, adjustable cushioning</b>									
P1S-S20M	20	3.14	8	0.50	M8	0.18	0.007	0.0405 <sup>1)</sup>	G1/8
P1S-S25M	25	4.91	10	0.78	M10x1.25	0.25	0.011	0.0633 <sup>1)</sup>	G1/8
<b>Single acting, spring return</b>									
P1S-S10SS	10	0.78	4	0.13	M4	0.04	0.003	0.0055 <sup>1)</sup>	M5
P1S-S12SS	12	1.13	6	0.28	M6	0.08	0.004	0.0079 <sup>1)</sup>	M5
P1S-S16SS	16	2.01	6	0.28	M6	0.10	0.005	0.0141 <sup>1)</sup>	M5
P1S-S20SS	20	3.14	8	0.50	M8	0.18	0.007	0.0220 <sup>1)</sup>	G1/8
P1S-S25SS	25	4.91	10	0.78	M10x1.25	0.26	0.011	0.0344 <sup>1)</sup>	G1/8
<b>Single acting, spring-extended</b>									
P1S-S16TS	16	2.01	6	0.28	M6	0.10	0.005	0.0141 <sup>1)</sup>	M5
P1S-S20TS	20	3.14	8	0.50	M8	0.18	0.007	0.0220 <sup>1)</sup>	G1/8
P1S-S25TS	25	4.91	10	0.78	M10x1.25	0.26	0.011	0.0344 <sup>1)</sup>	G1/8

1) Free air consumption per 10 mm stroke length for a double stroke at 6 bar

## Working medium, air quality

Working medium Dry, filtered compressed air to ISO 8573-1 class 3.4.3.

## Recommended air quality for cylinders

For best possible service life and trouble-free operation, ISO 8573-1 quality class 3.4.3 should be used. This means 5 µm filter (standard filter) dew point +3 °C for indoor operation (a lower dew point should be selected for outdoor operation) and oil concentration 1.0 mg oil/m<sup>3</sup>, which is what a standard compressor with a standard filter gives.

## Additional data

Working pressure max 10 bar  
Working temperature max +80 °C  
min -20 °C

High-temperature version max +150 °C  
min -10 °C

Prelubricated, further lubrication is not normally necessary. If additional lubrication is introduced it must be continued.

## ISO 8573-1 quality classes

Quality class	Pollution		Water	Oil
	particle size (µm)	max concentration (mg/m <sup>3</sup> )	max press dew point (°C)	max concentration (mg/m <sup>3</sup> )
1	0.1	0.1	-70	0.01
2	1	1	-40	0.1
3	5	5	-20	1.0
4	15	8	+3	5.0
5	40	10	+7	25.
6	-	-	+10	-



**Material specification**

Piston rod	Stainless steel, DIN X 10 CrNiS 18 9
Piston rod bearing	Multilayer PTFE/steel
End covers	Anodized aluminium
O-ring, internal	Nitrile rubber, NBR
Cylinder barrel	Stainless steel, DIN X 5 CrNi 18 10
Magnet holder	Thermoplastic elastomer
Magnet	Plastic-coated magnetic material
Return spring	Surface-treated steel
Cushioning screw	Stainless steel, DIN X 10 CrNiS 18 9

**Variants Mini ISO:**

**Standard-temperature version, type S:**

Piston rod seal	Nitrile rubber, NBR
Piston complete	Nitrile rubber, NBR/steel

**High-temperature version, type F:**

Piston rod seal	Fluorocarbon rubber, FPM
Piston complete	HNBR/steel

**Cylinders with outer sealings in fluorocarbon, type V:**

Piston rod seal/ Scraper ring	Fluorocarbon rubber, FPM
----------------------------------	--------------------------

Spare part = new cylinder

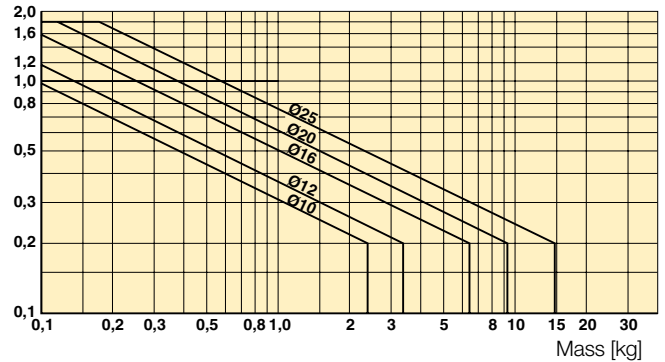
**Cushioning diagram**

Use the diagram below to determine the necessary size of cylinder to provide the requisite cushioning performance. The maximum cushioning performance, as indicated in the diagram, is based on the following assumptions:

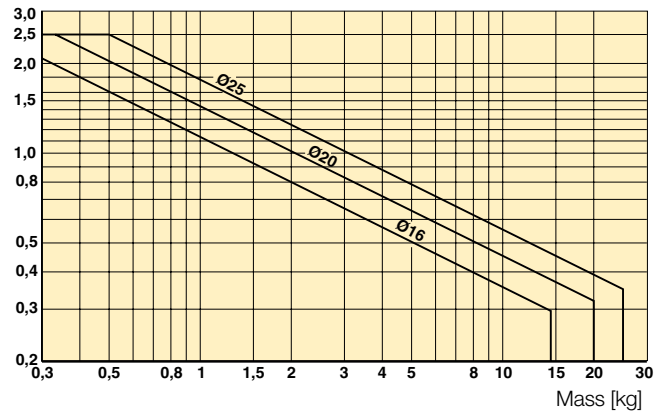
- Low load, i.e. low pressure drop across the piston
- Steady-state piston speed
- Correctly adjusted cushioning screw

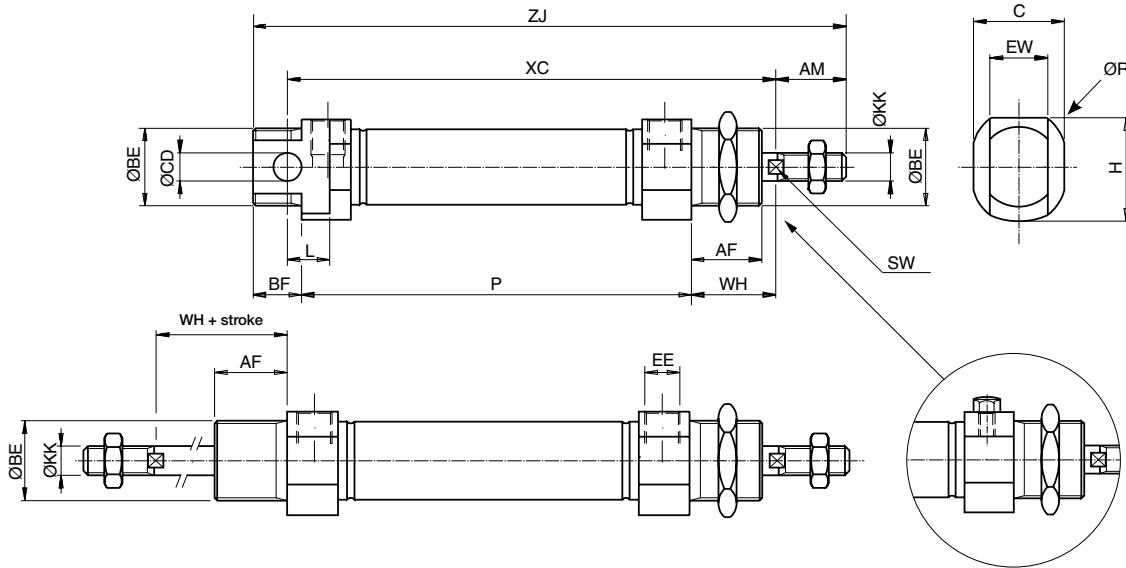
The load is the sum of the internal and external friction, together with any gravity forces. At high relative loading it is recommended that, for a given speed, the load should be reduced by a factor of 2.5, or that, for a given mass, the speed should be reduced by a factor of 1.5. These factors apply in relation to the maximum performance as shown in the diagram.

Fixed end-cushioning  
Speed [m/s]



Adjustable pneumatic end-cushioning  
Speed [m/s]





**Dimensions Ø10 - Ø25**

Cylinder bore mm	EE	Ø BE mm	Ø CD H9 mm	BF mm	L mm	AF mm	WH ±1,2 mm	AM 0/-2 mm	Ø KK mm	SW mm	C mm	EW mm	H mm	Ø R mm
10 <sup>1)</sup>	M5	M12x1,25	4	10	6	12	16	12	M4	-	13,0	8	13,5	16,0
10 <sup>2)</sup>	M5	M12x1,25	4	10	6	12	16	12	M4	-	13,0	8	14,0	16,0
12	M5	M16x1,50	6	13	9	18	22	16	M6	5	17,8	12	17,8	20,0
16	M5	M16x1,50	6	13	9	18	22	16	M6	5	17,8	12	17,8	20,0
20	G1/8	M22x1,50	8	14	12	20	24	20	M8	7	23,8	16	23,8	27,0
25	G1/8	M22x1,50	8	14	12	22	28	22	M10x1,25	9	26,8*	16	26,8*	31*

<sup>1)</sup> SS / TS single acting <sup>2)</sup> DS / MS double acting \* For K\_, SF, F\_ version dimensions are 27,5 | 27,5 | Ø34

**Double acting cylinders**

Cylinder bore mm	ZJ mm	XC mm	P mm
10	84 + stroke	64 + stroke	46 + stroke
12	99 + stroke	75 + stroke	48 + stroke
16 <sup>2)</sup>	104 + stroke	82 + stroke	53 + stroke
20 <sup>2)</sup>	125 + stroke	95 + stroke	67 + stroke
25 <sup>2)</sup>	132 + stroke	104 + stroke	68 + stroke

**Single acting cylinders, spring return type S**

Stroke Cyl. bore mm	10 XC	15 XC	25 XC	40 XC	50 XC	80 XC	10 ZJ	15 ZJ	25 ZJ	40 ZJ	50 ZJ	80 ZJ	10 P	15 P	25 P	40 P	50 p	80 P
10	74	79	89	126	136	174	94	99	109	146	156	194	56	61	71	108	118	156
12	85	90	100	132	142	185	109	114	124	156	166	209	58	63	73	105	115	158
16	92	97	107	122	132	184	114	119	129	144	154	206	63	68	78	93	103	155
20	105	110	120	135	145	191	135	140	150	165	175	221	77	82	92	107	117	163
25	114	119	129	144	154	201	142	147	157	172	182	229	78	83	93	108	118	165

Length tolerances ±1mm  
Stroke length tolerances +1.5/0 mm

Cylinders are supplied complete with mounting and adjusting nuts. Cylinders with through piston rod are supplied complete with two adjusting nuts and one mounting nut.

**Single acting cylinders, spring extended type T**

Stroke Cyl. bore mm	10 XC <sup>3)</sup>	15 XC <sup>3)</sup>	25 XC <sup>3)</sup>	40 XC <sup>3)</sup>	50 XC <sup>3)</sup>	80 XC <sup>3)</sup>	10 ZJ <sup>3)</sup>	15 ZJ <sup>3)</sup>	25 ZJ <sup>3)</sup>	40 ZJ <sup>3)</sup>	50 ZJ <sup>3)</sup>	80 ZJ <sup>3)</sup>	10 P	15 P	25 P	40 P	50 p	80 P
16	107	112	122	137	147	-	129	134	144	159	169	-	78	83	93	108	118	-
20	120	125	135	150	160	195	150	155	165	180	190	225	92	97	107	122	132	167
25	129	134	144	159	169	205	157	162	172	187	197	233	93	98	108	123	133	169

<sup>3)</sup> With piston rod retracted as shown in the dimension drawing

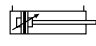
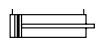



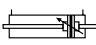
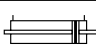
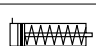

Length tolerances ±1mm

Stroke length tolerances +1.5/0 mm





Order key

<b>P1S - S</b>	<b>016</b>	<b>M</b>	<b>S</b>	<b>-</b>	<b>0025</b>								
<b>Cylinder bore mm</b>	<b>Cylinder type / function</b>			<b>Stroke in mm</b>									
010	<b>M</b>		Double-acting, adjustable cushioning. Ø 20-25 mm. Not for sealing material type F.	E.g. <b>0025</b> = 25 mm For standard stroke length and max length, see table below									
012	<b>D</b>		Double-acting, non-adjustable cushioning, Ø10 - 25 mm	<table border="1"> <tr> <th colspan="2">Sealing material</th> </tr> <tr> <td><b>S</b></td> <td>Standard, -20 °C to +80 °C. Magnetic piston</td> </tr> <tr> <td><b>F</b></td> <td> High temperature, Ø12, 16, 20 and 25 mm. -10 °C to +150 °C. Non-magnetic piston</td> </tr> <tr> <td><b>V</b></td> <td>External seals of fluorinated rubber. -20 °C to +80 °C. Magnetic piston</td> </tr> </table>		Sealing material		<b>S</b>	Standard, -20 °C to +80 °C. Magnetic piston	<b>F</b>	 High temperature, Ø12, 16, 20 and 25 mm. -10 °C to +150 °C. Non-magnetic piston	<b>V</b>	External seals of fluorinated rubber. -20 °C to +80 °C. Magnetic piston
Sealing material													
<b>S</b>	Standard, -20 °C to +80 °C. Magnetic piston												
<b>F</b>	 High temperature, Ø12, 16, 20 and 25 mm. -10 °C to +150 °C. Non-magnetic piston												
<b>V</b>	External seals of fluorinated rubber. -20 °C to +80 °C. Magnetic piston												
016	<b>F</b>		Double-acting, adjustable cushioning, thru-rod, Ø 20 - 25 mm. Not for sealing material type F.										
020	<b>K</b>		Double-acting, non-adjustable cushioning, thru-rod, Ø10 - 25 mm										
025	<b>S</b>		Single-acting, non-adjustable cushioning, spring return for retract stroke, Ø10 - 25 mm. Not for sealing material type F & V.										
	<b>T</b>		Single-acting, non-adjustable cushioning, spring return for advance stroke, Ø16 - 25 mm. Not for sealing material type F & V.										

Stroke length

Cylinder designation	Cylinder bore	● Standard stroke length in mm										■ Non standard stroke length					
		10	15	20	25*	30	40	50*	80*	100*	125*	160*	200*	250*	320*	400*	500*
<b>Double acting with fixed end-cushioning:</b>																	
P1S-S010D	10	●	●	●	●	●	●	●	●	●	●	●	●	●	●	●	●
P1S-S012D	12	●	●	●	●	●	●	●	●	●	●	●	●	●	●	●	●
P1S-S016D	16	●	●	●	●	●	●	●	●	●	●	●	●	●	●	●	●
P1S-S020D	20	●	●	●	●	●	●	●	●	●	●	●	●	●	●	●	●
P1S-S025D	25	●	●	●	●	●	●	●	●	●	●	●	●	●	●	●	●
<b>Double acting with adjustable end-cushioning:</b>																	
P1S-S020M	20	●	●	●	●	●	●	●	●	●	●	●	●	●	●	●	●
P1S-S025M	25	●	●	●	●	●	●	●	●	●	●	●	●	●	●	●	●
<b>Single acting, spring return:</b>																	
P1S-S010SS	10	●	●	●	●	●	●	●	●	●	●	●	●	●	●	●	●
P1S-S012SS	12	●	●	●	●	●	●	●	●	●	●	●	●	●	●	●	●
P1S-S016SS	16	●	●	●	●	●	●	●	●	●	●	●	●	●	●	●	●
P1S-S020SS	20	●	●	●	●	●	●	●	●	●	●	●	●	●	●	●	●
P1S-S025SS	25	●	●	●	●	●	●	●	●	●	●	●	●	●	●	●	●
<b>Single acting, spring-extended:</b>																	
P1S-S016TS	16	●	●	●	●	●	●	●	●	●	●	●	●	●	●	●	●
P1S-S020TS	20	●	●	●	●	●	●	●	●	●	●	●	●	●	●	●	●
P1S-S025TS	25	●	●	●	●	●	●	●	●	●	●	●	●	●	●	●	●

\* Standard stroke lengths in mm according to ISO 4393

\*\* Max stroke 1000 mm

### Guide for selecting suitable tubing

The selection of the correct size of tubing is often based on experience, with no great thought to optimizing energy efficiency and cylinder velocity. This is usually acceptable, but making a rough calculation can result in worthwhile economic gains.

#### The following is the basic principle:

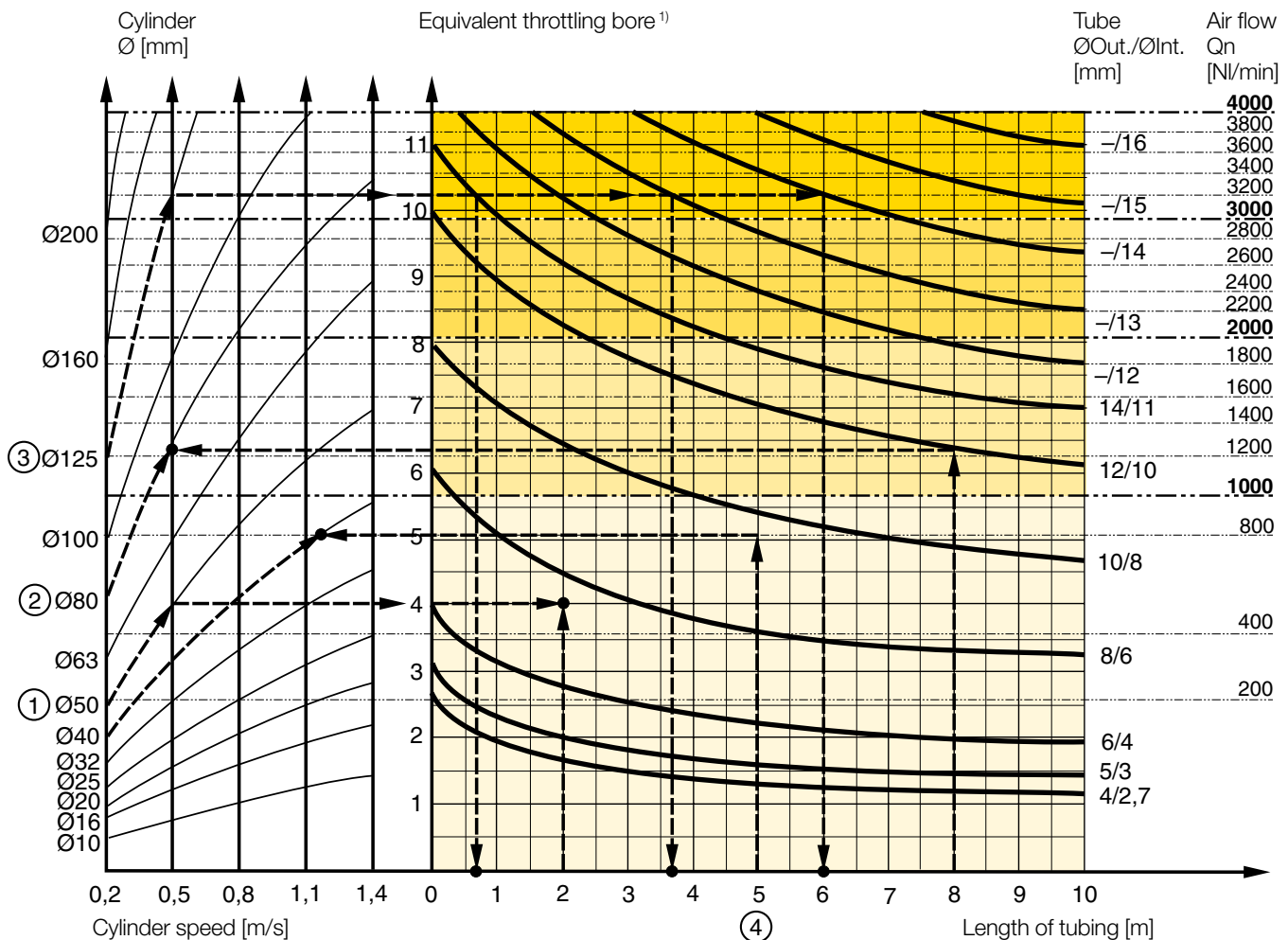
1. The primary line to the working valve could be over sized (this does not cause any extra air consumption and consequently does not create any extra costs in operation).
2. The tubes between the valve and the cylinder should, however, be optimized according to the principle that an insufficient bore throttles the flow and thus limits the cylinder speed, while an oversized pipe creates a dead volume which increases the air consumption and filling time.

The chart below is intended to help when selecting the correct size of tube to use between the valve and the cylinder.

#### The following prerequisites apply:

The **cylinder load should be about 50%** of the theoretical force (= normal load). A lower load gives a higher velocity and vice versa. The tube size is selected as a function of the **cylinder bore**, the desired **cylinder velocity** and the **tube length** between the valve and the cylinder.

If you want to use the capacity of the valve to its maximum, and obtain maximum speed, the tubing should be chosen so that they at least correspond with the equivalent restriction diameter (see description below), so that the tubing does not restrict the total flow. This means that a short tubing must have at least the equivalent restriction diameter. If the tubing is longer, choose it from the table below. Straight fittings should be chosen for highest flow rates. (Elbow and banjo fittings cause restriction.)



- 1) The "equivalent throttling bore" is a long throttle (for example a tube) or a series of throttles (for example, through a valve) converted to a short throttle which gives a corresponding flow rate. This should not be confused with the "orifice" which is sometimes specified for valves. The value for the orifice does not normally take account of the fact that the valve contains a number of throttles.
- 2) Qn is a measure of the valve flow capacity, with flow measured in litre per minute (l/min) at 6 bar(e) supply pressure and 1 bar pressure drop across the valve.

**Example ①: Which tube diameter should be used?**

A 50 mm bore cylinder is to be operated at 0.5 m/s. The tube length between the valve and cylinder is 2 m. In the diagram we follow the line from 50 mm bore to 0.5 m/s and get an “equivalent throttling bore” of approximately 4 mm. We continue out to the right in the chart and intersect the line for a 2 m tube between the curves for 4 mm (6/4 tube) and 6 mm(8/6 tube). This means that a 6/4 tube throttles the velocity somewhat, while an 8/6 tube is a little too large. We select the 8/6 tube to obtain full cylinder velocity.

**Example ②: What cylinder velocity will be obtained?**

A 80 mm bore cylinder will be used, connected by 8 m 12/10 tube to a valve with Qn 1200 NI/min. What cylinder velocity will we get? We refer to the diagram and follow the line from 8 mm tube length up to the curve for 12/10 tube. From there, we go horizontally to the curve for the Ø80 cylinder. We find that the velocity will be about 0.5 m/s.

**Example ③: What is the minimum inner diameter and maximum length of tube?**

For an application a 125 mm bore cylinder will be used. Maximum velocity of piston rod is 0.5 m/s. The cylinder will be controlled by a valve with Qn 3200 NI/min. What diameter of tube can be used and what is maximum length of tube.

We refer to the diagram. We start at the left side of the diagram cylinder Ø125. We follow the line until the intersection with the velocity line of 0.5 m/s. From here we draw a horizontal line in the diagram. This line shows us we need an equivalent throttling bore of approximately 10 mm. Following this line horizontally we cross a few intersections. These intersections shows us the minimum inner diameter (rightside diagram) in combination with the maximum length of tube (bottomside diagram).

For example:

Intersection one: When a tube (14/11) will be used, the maximum length of tube is 0.7 meter.

Intersection two: When a tube (—/13) will be used, the maximum length of tube is 3.7 meter.

Intersection three: When a tube (—/14) will be used, the maximum length of tube is 6 meter.

**Example ④: Determining tube size and cylinder velocity with a particular cylinder and valve?**

For an application using a 40 mm bore cylinder with a valve with Qn=800 NI/min. The distance between the cylinder and valve has been set to 5 m.

**Tube dimension:** What tube bore should be selected to obtain the maximum cylinder velocity? Start at pipe length 5 m, follow the line up to the intersection with 800 NI/min. Select the next largest tube diameter, in this case Ø10/8 mm.

**Cylinder velocity:** What maximum cylinder velocity will be obtained? Follow the line for 800 NI/min to the left until it intersects with the line for the Ø40 mm cylinder. In this example, the speed is just above 1.1 m/s.

**Valve series with respective flows in NI/minute**

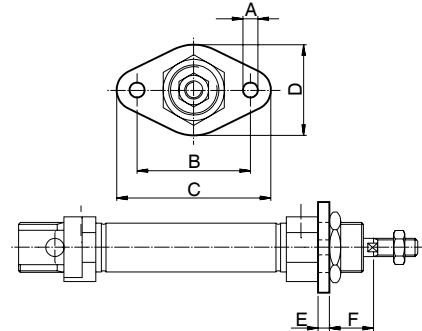
Valve series	Qn in NI/Min
Valvetronic Solstar	33
Interface PS1	100
Adex A05	173
Modulflex size 1, (2 x 3/2)	220
Valvetronic PVL-B 5/3 closed centre, 6 mm push in	290
Modulflex size 1, (4/2)	320
B43 Manual and mechanical	340
Valvetronic PVL-B 2 x 2/3, 6 mm push in	350
Valvetronic PVL-B 5/3 closed centre, G1/8	370
Compact Isomax DX02	385
Valvetronic PVL-B 2 x 3/2 G1/8	440
Valvetronic PVL-B 5/2, 6 mm push in	450
Valvetronic PVL-B 5/3 vented centre, 6 mm push in	450
Modulflex size 2, (2 x 3/2)	450
Flowstar P2V-A	520
Valvetronic PVL-B 5/3 vented centre, G1/8	540
Valvetronic PVL-B 5/2, G1/8	540
Valvetronic PVL-C 2 x 3/2, 8 mm push in	540
Adex A12	560
Valvetronic PVL-C 2 x 3/2 G1/8	570
Compact Isomax DX01	585
VIKING Xtreme P2LAX	660
Valvetronic PVL-C 5/3 closed centre, 8 mm push in	700
Valvetronic PVL-C 5/3 vented centre, G1/4	700
B3-Series	780
Valvetronic PVL-C 5/3 closed centre, G1/4	780
Modulflex size 2, (4/2)	800
Valvetronic PVL-C 5/2, 8 mm push in	840
Valvetronic PVL-C 5/3 vented centre, 8 mm push in	840
Valvetronic PVL-C 5/2, G1/4	840
Flowstar P2V-B	1090
ISOMAX DX1	1150
B53 Manual and mechanical	1160
B4-Series	1170
VIKING Xtreme P2LBX	1290
B5-Series, G1/4	1440
Airline Isolator Valve VE22/23	1470
ISOMAX DX2	2330
VIKING Xtreme P2LCX, G3/8	2460
VIKING Xtreme P2LDX, G1/2	2660
ISOMAX DX3	4050
Airline Isolator Valve VE42/43	5520
Airline Isolator Valve VE82/83	13680

**Cylinder mountings**

Type	Description	Cyl. bore Ø mm	Weight kg	Order code
<b>Stainless flange MF8</b>	Intended for fixed attachment of the cylinder. The flange is designed for mounting on the front or rear end-covers.  Material: Stainless steel, DIN X 10 CrNiS 18 9	10	0.012	<b>P1S-4CMB</b> <b>P1S-4DMB</b> <b>P1S-4HMB</b>
		12-16	0.025	
		20-25	0.045	



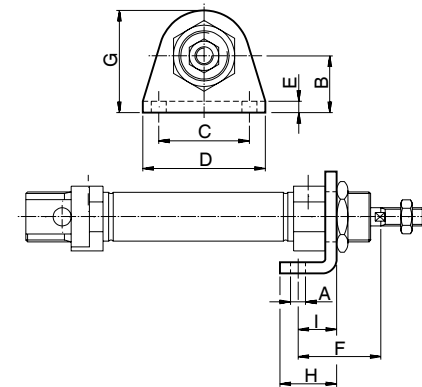
Cylinder Ø mm	A mm	B mm	C mm	D mm	E mm	F mm
10	4.5	30	40	22	3	13
12-16	5.5	40	52	30	4	18
20	6.6	50	66	40	5	19
25	6.6	50	66	40	5	23



<b>Stainless foot MS3</b>	Intended for fixed attachment of the cylinder. The bracket is designed for mounting on the front or rear end-covers.  Material: Stainless steel, DIN X 10 CrNiS 18 9	10	0.020	<b>P1S-4CMF</b> <b>P1S-4DMF</b> <b>P1S-4HMF</b>
		12-16	0.040	
		20-25	0.080	



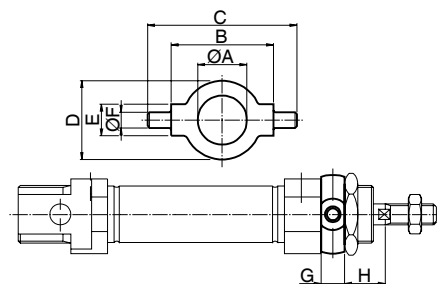
Cylinder Ø mm	A mm	B mm	C mm	D mm	E mm	F mm	G mm	H mm	I mm
10	4.5	16	25	35	3	24	26	16	11
12-16	5.5	20	32	42	4	32	32.5	20	14
20	6.6	25	40	54	5	36	45	25	17
25	6.6	25	40	54	5	40	45	25	17



<b>Stainless Cover trunnion</b>	Intended for articulated mounting of the cylinder. The flange is designed for mounting on the front or rear end-covers.  Material: Stainless steel, DIN X 10 CrNiS 18 9	10	0.014	<b>P1A-4CMJ</b> <b>P1A-4DMJ</b> <b>P1A-4HMJ</b>
		12-16	0.033	
		20-25	0.037	



Cylinder Ø mm	A mm	B h14 mm	C mm	D mm	E e9 mm	F mm	G mm	H mm
10	12.5	26	38	20	8	4	6	10
12-16	16.5	38	58	25	10	6	8	14
20	22.5	46	66	30	10	6	8	16
25	22.5	46	66	30	10	6	8	20



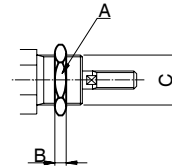
**Cylinder mountings**

Type	Description	Cyl. bore Ø mm	Weight kg	Order code
<b>Stainless Neck nut MR3</b>	Intended for fixed mounting of the cylinder. Cylinders are supplied complete with one mounting nut.	10	0.009	<b>9126725405</b>
		12-16	0.018	<b>9126725406</b>
		20-25	0.042	<b>9126725407</b>



Material:  
Stainless steel, DIN X 5 CrNi 18 10

Cylinder Ø mm	A mm	B mm	C
10	19	6	M12x1,25
12-16	24	8	M16x1,50
20-25	27	5	M22x1,50



**Stainless Clevis bracket AB3**

Intended for articulated mounting of the cylinder.  
Supplied with shaft for mounting on the rear end cover.

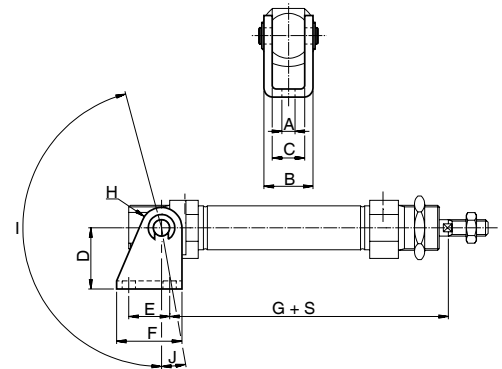
10	0.020	<b>P1S-4CMT</b> <b>P1S-4DMT</b> <b>P1S-4HMT</b>
12-16	0.040	
20-25	0.080	



Material:  
Bracket: stainless steel, DIN X 5 CrNi 18 10  
Pin: tempered stainless steel, DIN X 20 Cr 13  
Locking rings: stainless steel, DIN X 5 CrNi 18 10

Cylinder Ø mm	A mm	B mm	C mm	D mm	E mm	F mm	G mm	H mm	I °	J °
10	4,5	13	8.1	24	12,5	20	65,3	5	160	17
12	5.5	18	12.1	27	15	25	73	7	170	15
16	5.5	18	12.1	27	15	25	80	7	170	15
20	6.6	24	16.1	30	20	32	91	10	165	10
25	6.6	24	16.1	30	20	32	100	10	165	10

S = stroke



**Stainless Clevis AP2**

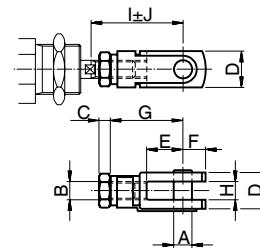
According to ISO 8140  
Intended for articulated mounting of the cylinder.  
This mounting is adjustable in the axial direction.  
Supplied complete with pin.

10	0.007	<b>P1S-4CRD</b> <b>P1S-4DRD</b> <b>P1S-4HRD</b> <b>P1S-4JRD</b>
12-16	0.022	
20	0.045	
25	0.095	



Material:  
Stainless steel, DIN X 5 CrNi 18 10

Cylinder Ø mm	A mm	B	C mm	D mm	E mm	F mm	G mm	H mm	I mm	J mm
10	4	M4	2.2	8	8	5	16	4	22	2
12-16	6	M6	3.2	12	12	7	24	6	31	3
20	8	M8	4	16	16	10	32	8	40.5	3.5
25	10	M10x1.25	5	20	20	12	40	10	49	3

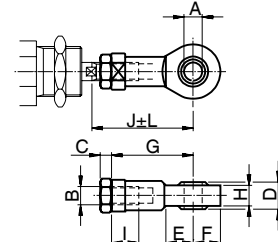


**Cylinder mountings**

Type	Description	Cyl. bore Ø mm	Weight kg	Order code
<b>Stainless Swivel rod eye AP6</b>	According to ISO 8139 Intended for articulated mounting of the cylinder. This mounting is adjustable in the axial direction.	10	0.017	<b>P1S-4CRT</b> <b>P1S-4DRT</b> <b>P1S-4HRT</b> <b>P1S-4JRT</b>
		12-16	0.025	
		20	0.045	
		25	0.085	



Material:  
Swivel rod eye: stainless steel, DIN X 5 CrNi 18 10  
Ball: hardened stainless steel, DIN X 5 CrNi 18 10



Cylinder Ø mm	A mm	B	C	D	E	F	G	H	I	J	K	L
10	5	M4	2.2	8	10	9	27	6	8	33	9	2
12-16	6	M6	3.2	9	10	10	30	6.8	9	38.5	11	1.5
20	8	M8	4	12	12	12	36	9	12	46	14	2
25	10	M10x1.25	5	14	14	14	43	10.5	15	52.5	17	2.5

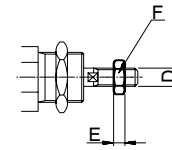
**Stainless Rod nut MR9**



Intended for fixed mounting on the piston rod. Cylinders are supplied complete with one rod nut. (cylinders with through piston rod are supplied with two rod nuts.)

10	0.001	<b>9127385121</b> <b>9127385122</b> <b>9127385123</b> <b>9126725404</b>
12-16	0.002	
20	0.005	
25	0.007	

Material:  
Stainless steel, DIN X 5 CrNi 18 10



Cylinder Ø mm	D	F	E
10	M4	7	2.2
12-16	M6	10	3.2
20	M8	13	4
25	M10x1.25	17	5



Main data: ISO 6431

Cylinder designation	Cylinder bore	Piston rod		Cushion thread	Total mass	Moving mass		Air at 0 mm stroke	Port addition per 10 mm stroke	Consumption	Thread	
		area	diam.			area	at 0 mm stroke					per 10 mm stroke
	mm	cm <sup>2</sup>	mm	cm <sup>2</sup>	mm	kg	kg	kg	kg	litres		
P1S-•Ø32M	32	8.0	12	1.1	M10x1.25	15	0.59	0.026	0.10	0.009	0.105 <sup>1)</sup>	G1/8
P1S-•Ø40M	40	12.6	16	2.0	M12x1.25	18	0.99	0.036	0.19	0.016	0.162 <sup>1)</sup>	G1/4
P1S-•Ø50M	50	19.6	20	3.1	M16x1.5	19	1.63	0.057	0.32	0.024	0.253 <sup>1)</sup>	G1/4
P1S-•Ø63M	63	31.2	20	3.1	M16x1.5	22	2.75	0.065	0.36	0.024	0.414 <sup>1)</sup>	G3/8
P1S-•Ø80M	80	50.3	25	4.9	M20x1.5	24	5.09	0.099	1.11	0.039	0.669 <sup>1)</sup>	G3/8
P1S-•Ø100M	100	78.5	25	4.9	M20x1.5	29	8.68	0.115	1.41	0.039	1.043 <sup>1)</sup>	G1/2
P1S-•Ø125M	125	122.7	32	8.0	M27x2	32	15.31	0.174	2.90	0.063	1.662 <sup>1)</sup>	G1/2

1) Free air consumption per 10 mm stroke length for a double stroke at 600 kPa (6 bar)

Cylinder forces

Indicated cylinder forces are theoretical and should be reduced in relation to working conditions.

Cylinder designation	Theoretical cylinder force at 600 kPa (6 bar)	
	exp. stroke	return stroke
	N	N
P1S-•Ø32M	480	415
P1S-•Ø40M	754	633
P1S-•Ø50M	1180	990
P1S-•Ø63M	1870	1680
P1S-•Ø80M	3016	2721
P1S-•Ø100M	4712	4417
P1S-•Ø125M	7363	6880

Additional data

Working pressure	max 10 bar
Working temperature	max +80 °C
	min -20 °C
High-temperature version	max +150 °C
	min -10 °C

Prelubricated, further lubrication is not normally necessary. If additional lubrication is introduced it must be continued.

Working medium, air quality

Working medium Dry, filtered compressed air to ISO 8573-1 class 3.4.3.

Recommended air quality for cylinders

For best possible service life and trouble-free operation, ISO 8573-1 quality class 3.4.3 should be used. This means 5 µm filter (standard filter) dew point +3 °C for indoor operation (a lower dew point should be selected for outdoor operation) and oil concentration 1.0 mg oil/m<sup>3</sup>, which is what a standard compressor with a standard filter gives.

ISO 8573-1 quality classes

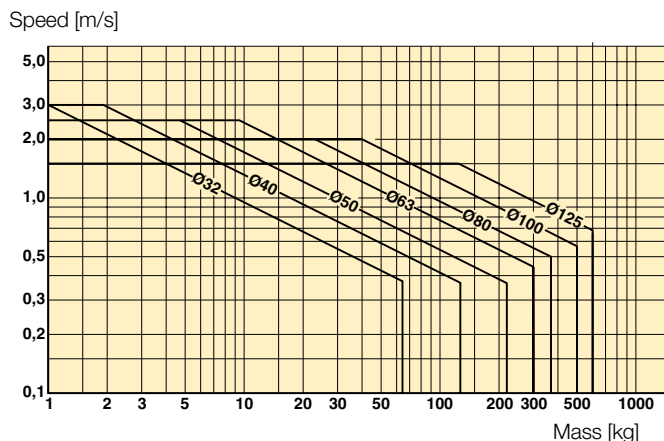
Quality class	Pollution		Water max. press. dew point (°C)	Oil max concentration (mg/m <sup>3</sup> )
	particle size (µm)	max concentration (mg/m <sup>3</sup> )		
1	0.1	0.1	-70	0.01
2	1	1	-40	0.1
3	5	5	-20	1.0
4	15	8	+3	5.0
5	40	10	+7	25
6	-	-	+10	-

Cushioning diagram

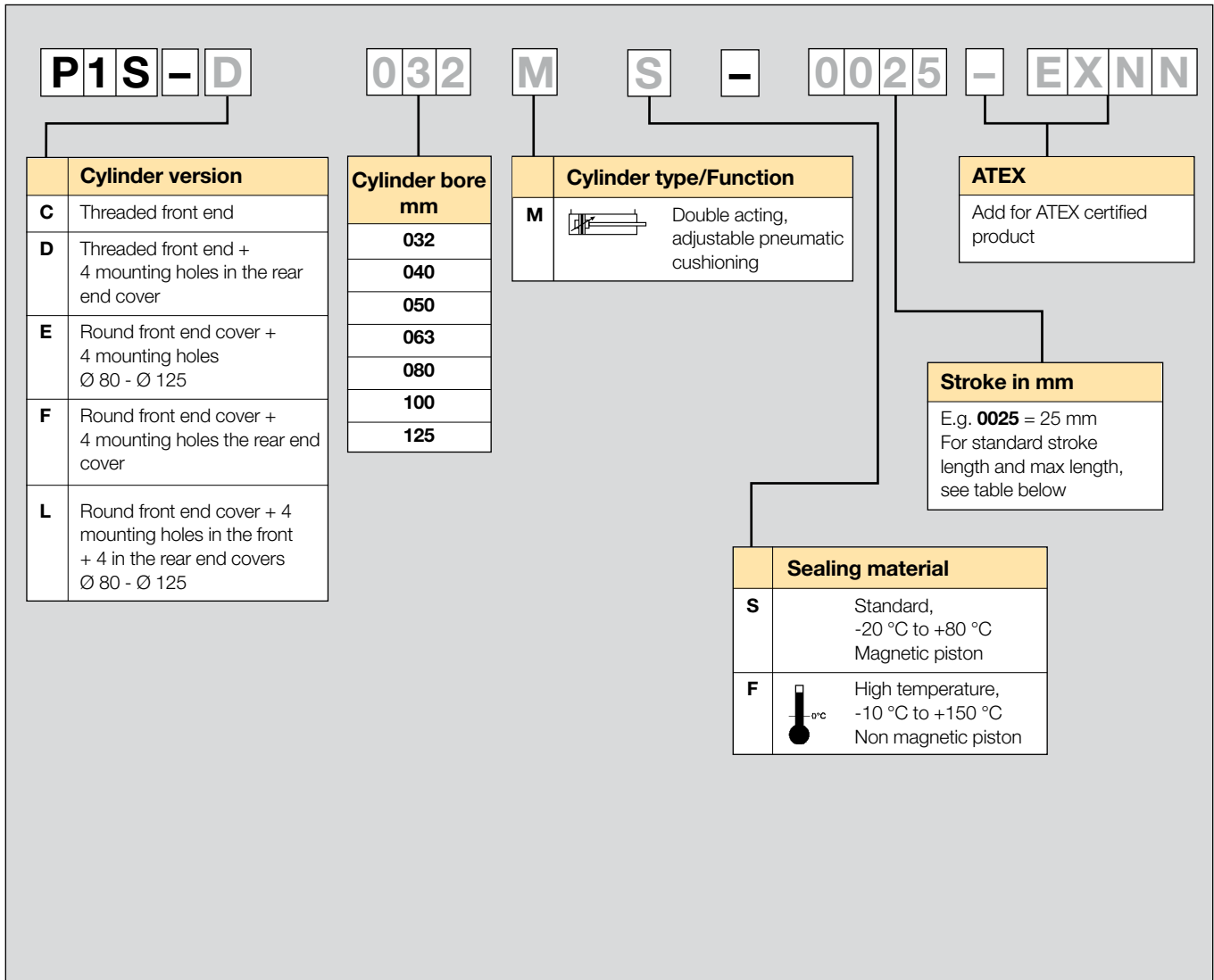
Use the diagram below to determine the necessary size of cylinder to provide the requisite cushioning performance. The maximum cushioning performance, as indicated in the diagram, is based on the following assumptions:

- Low load, i.e. low pressure drop across the piston
- Steady-state piston speed
- Correctly adjusted cushioning screw

The load is the sum of the internal and external friction, together with any gravity forces. At high relative loading it is recommended that, for a given speed, the load should be reduced by a factor of 2.5, or that, for a given mass, the speed should be reduced by a factor of 1.5. These factors apply in relation to the maximum performance as shown in the diagram.



Order key



Stroke length

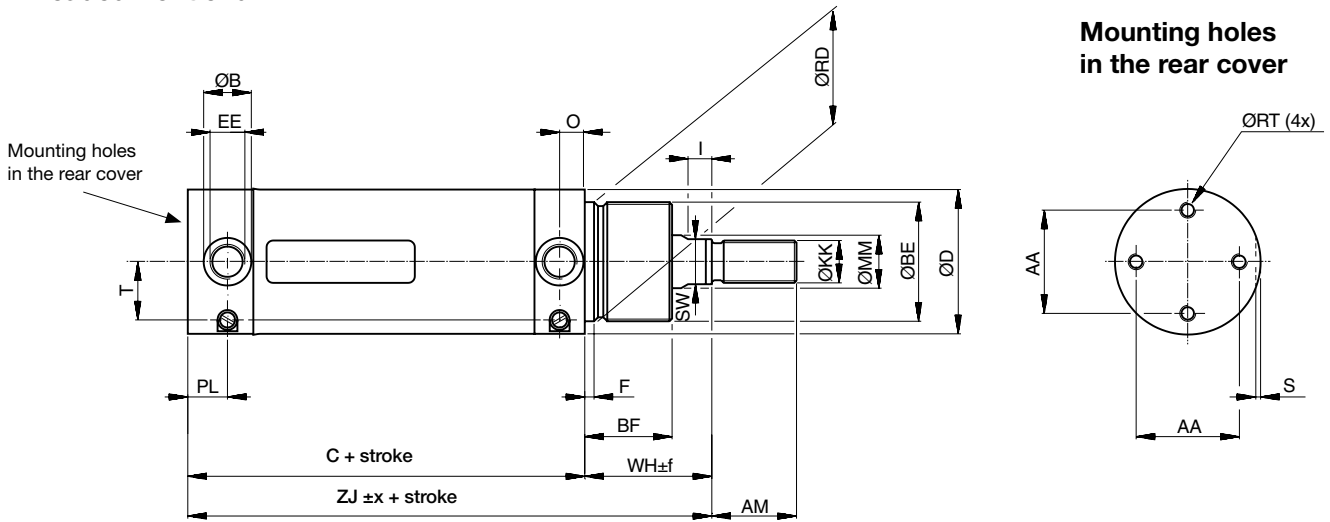
Cylinder designation	Cylinder bore	● Standard stroke length in mm according to ISO 4393											Non standard stroke length
		25	50	80	100	125	160	200	250	320	400	500	
P1S-•032M	32	●	●	●	●	●	●	●	●	●	●	●	●
P1S-•040M	40	●	●	●	●	●	●	●	●	●	●	●	●
P1S-•050M	50	●	●	●	●	●	●	●	●	●	●	●	●
P1S-•063M	63	●	●	●	●	●	●	●	●	●	●	●	●
P1S-•080M	80	●	●	●	●	●	●	●	●	●	●	●	●
P1S-•100M	100	●	●	●	●	●	●	●	●	●	●	●	●
P1S-•125M	125	●	●	●	●	●	●	●	●	●	●	●	●

**CE** **II 2GD c T4 120 °C**

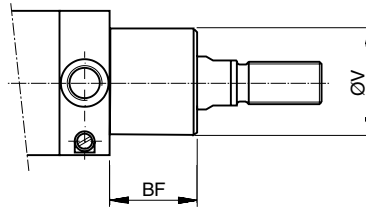
- P1S-C\*\*\*MS-\*\*\*\*-EXNN
- P1S-D\*\*\*MS-\*\*\*\*-EXNN
- P1S-E\*\*\*MS-\*\*\*\*-EXNN
- P1S-F\*\*\*MS-\*\*\*\*-EXNN
- P1S-L\*\*\*MS-\*\*\*\*-EXNN

All strokes in the range 25 - 1000 mm

**Threaded front end**



**Basic cylinder**



**Dimensions Ø32 - Ø63**

Cylinder designation	AA mm	AM mm	B mm	BF mm	BE	C mm	D mm	EE mm	F mm	I mm	KK	MM mm	O mm	PL mm	RD mm	RT mm
P1S-D032M	24.5	22	15	25	M30x1.5	88	36	G1/8	4.2	6	M10x1.25	12	8	13	30	M5
P1S-D040M	30	24	18	30	M38x1.5	97	44	G1/4	4.5	9	M12x1.25	16	9.5	15	38	M6
P1S-D050M	39	32	18	33	M45x1.5	101	55	G1/4	4.5	9	M16x1.5	20	9.5	15	45	M6
P1S-D063M	49	32	25	33	M45x1.5	117	68	G3/8	4.5	9	M16x1.5	20	13.3	20.5	45	M8

Cylinder designation	S mm	SW mm	T mm	V mm	WH mm	ZJ mm	Mounting tolerances		Stroke length 0-500 mm mm
							x mm	f mm	
P1S-D032M	1.5	10	12.2	26	35.5	123.5	1.2	2.5	+2.0
P1S-D040M	1.5	14	16.5	35	44	141	1.0	2.2	+2.0
P1S-D050M	1.5	17	22	41	47	148	0.9	2.3	+2.0
P1S-D063M	1.5	17	26	41	47	164	1.4	2.3	+2.5

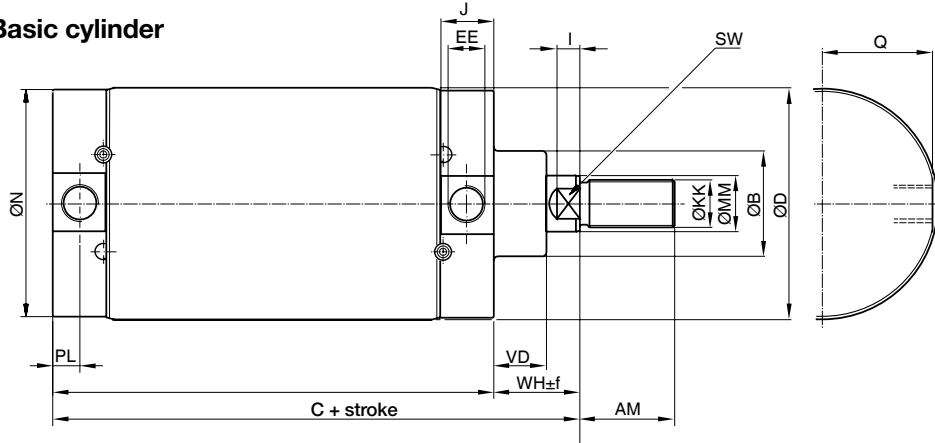
**Material specification Ø32 - Ø63**

Piston rod	Stainless steel, DIN X 2 CrNiMo 17 13 2
Piston rod nut	Stainless steel, DIN X 5 CrNi 18 10
Piston rod seal	UHMWPE-plastic/NBR
Scraper ring	UHMWPE-plastic/fluorocarbon rubber, FPM
Piston rod bearing	HDPE-plastic
End covers	Stainless steel, DIN X 5 CrNi 18 10
Cushioning screw	Stainless steel, DIN X 10 CrNiS 18 9
Cushioning screw lockings	Stainless steel, DIN X 5 CrNi 18 10
Cushioning sealing	NBR
O-ring, cushioning screw	Fluorocarbon, FPM
O-ring, internal	NBR
Cylinder barrel	Stainless steel, DIN X 5 CrNi 18 10
Piston	POM plastic
Piston seal	NBR
Piston nut	Zinc plated steel
Magnet	Plastic-coated magnetic material

**Variants Ø32 - Ø63**

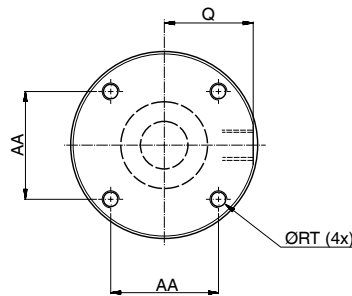
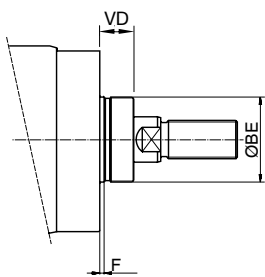
**High-temperature version, type F:**  
 Sealings/scraper ring fluorocarbon rubber, FPM  
 Piston anodized aluminium

**Basic cylinder**



**Threaded front end**

**Mounting holes in the end covers (front and rear)**



**Dimensions Ø80 - Ø125**

Cylinder designation	AA mm	AM mm	B mm	BE	C mm	D mm	EE mm	F mm	KK	I mm	J mm	MM mm	N mm	PL mm	Q mm
P1S-•080M	46	40	50	M50x1.5	141	86	G3/8	4	M20x1.5	10	24.5	25	84	12.5	40
P1S-•100M	60	40	50	M50x1.5	158	106	G1/2	4	M20x1.5	8	30	25	104	15.5	49.5
P1S-•125M	76	54	60	M60x2	183	133	G1/2	4	M27x2	13	30	32	129	15.5	62.5

Cylinder designation	RT mm	SW mm	VD mm	WH mm	Mounting tol. x mm	f mm	Stroke length 0-500 mm
P1S-•080M	M8	21	19	37	1.5	2.5	+2.5
P1S-•100M	M10	21	19	35	1.5	2.5	+2.5
P1S-•125M	M12	27	24	47	2.0	2.5	+4.0

**Material specification Ø80 - Ø125**

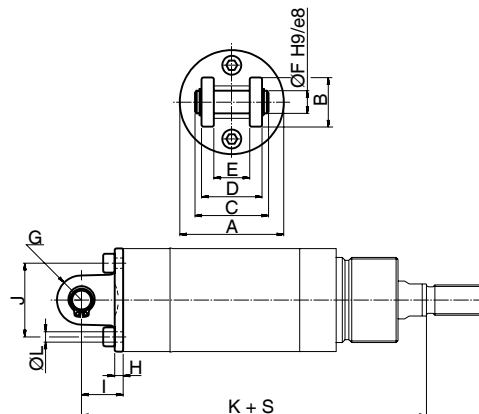
Piston rod	Stainless steel, DIN X 2 CrNiMo 17 13 2
Piston rod nut	Acid-proof steel, A4
Piston rod seal	FPM
Scraper ring	PTFE
Piston rod bearing	Multilayer PTFE and steel
End covers	Stainless steel, DIN X 5 CrNi 18 10
Cushioning screw	Stainless steel, DIN X 10 CrNiS 18 9
Cushioning sealing	NBR
O-ring, cushioning screw	Fluorocarbon, FPM
O-ring, internal	NBR
Cylinder barrel	Stainless steel, DIN X 5 CrNi 18 10
Piston	Anodized aluminium
Piston seal	NBR
Piston bearing	UHMWPE-plastic
Magnetic band	Rubber-coated magnetic material

**Variants Ø80 - Ø125**

<b>High-temperature version, type F:</b>	
Sealings/scraper ring	Fluorocarbon rubber, FPM/PTFE

**Cylinder mountings Ø32 - Ø63**

Type	Description	Cyl. bore Ø mm	Weight kg	Order code
<b>Stainless clevis bracket MP4</b>	Intended for articulated mounting of the cylinder versions D or F. The bracket is mounted at the rear end cover and is supplied complete with shaft, mounting screw and O-ring for a clean joint between end cover and bracket.  Material: Stainless steel, DIN X 5 CrNi 18 10	32	0.09	<b>P1S-4KME</b> <b>P1S-4LME</b> <b>P1S-4MME</b> <b>P1S-4NME</b>
		40	0.12	
		50	0.19	
		63	0.34	



Cylinder Ø mm	A mm	B mm	C mm	D mm	E mm	F mm	G mm	H mm	I mm	J mm	K mm	L mm
32	35.5	20	33	26	15	10	10	4.5	18.5	25	142	5.5
40	43.5	24	35	28	17	12	12	4	19	30	160	6.5
50	54.5	26	39	32	17	12	13	4.5	22	39	170	6.5
63	67.5	34	47	40	22	16	17	6	26	49	190	8.6

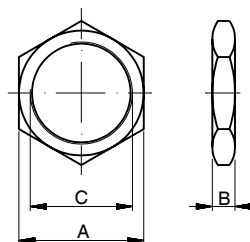
S = Stroke

**Stainless neck nut MR3**

Intended for fixed mounting of the cylinder via the neck.

Material: stainless steel, DIN X 5 CrNi 18 10

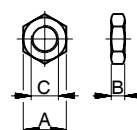
32	0.03	<b>9127294401</b> <b>9127294402</b> <b>9127294403</b>
40	0.06	
50-63	0.08	



Cylinder Ø mm	A mm	B mm	C
32	36	8	M30x1.5
40	46	10	M38x1.5
50	55	10	M45x1.5
63	55	10	M45x1.5

**Cylinder mountings Ø32 - Ø125**

Type	Description	Cyl. bore Ø mm	Weight kg	Order code
<b>Acid-proof rod nut MR9</b>	Intended for fixed mounting on the piston rod. Cylinders are supplied complete with one rod nut. (cylinders with through piston rods are supplied with two rod nuts.)  Material: Acid-proof steel A4 (Standard)	32	0.007	<b>P14-4KRPX</b> <b>P14-4MRPX</b> <b>P14-4MRPX</b> <b>P14-4MRPX</b> <b>P14-4PRPX</b> <b>P14-4PRPX</b> <b>P14-4RRPX</b>
		40	0.010	
		50	0.021	
		63	0.021	
		80	0.040	
		100	0.040	
		125	0.100	
<b>Stainless rod nut MR9</b>	Intended for fixed mounting of accessories to the piston rod.  Material: Stainless steel, A2	32	0.007	<b>P14-4KRPS</b> <b>P14-4LRPS</b> <b>P14-4MRPS</b> <b>P14-4MRPS</b> <b>P14-4PRPS</b> <b>P14-4PRPS</b> <b>P14-4RRPS</b>
		40	0.010	
		50	0.021	
		63	0.021	
		80	0.040	
		100	0.040	
		125	0.100	



Supplied as pack of 10 off weight per item

Cylinder Ø mm	A mm	B mm	C
32	17	5	M10x1.25
40	19	6	M12x1.25
50	24	8	M16x1.5
63	24	8	M16x1.5
80	30	10	M20x1.5
100	30	10	M20x1.5
125	41	13.5	M27x2

**Cylinder mountings Ø32 - Ø125**

Type Description

**Stainless swivel rod eye AP6**



According to ISO 8139  
Intended for articulated mounting of the cylinder.  
This mounting is adjustable in the axial direction.

Material:  
Swivel rod eye: stainless steel, DIN X 5 CrNi 18 10  
Ball: hardened stainless steel, DIN X 5 CrNi 18 10

Cyl. bore  
Ø mm

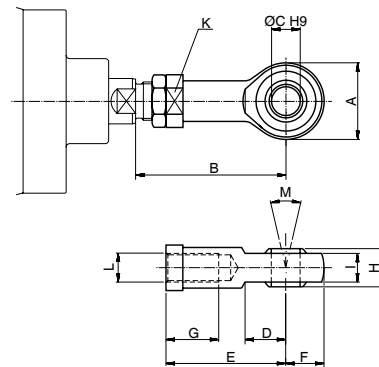
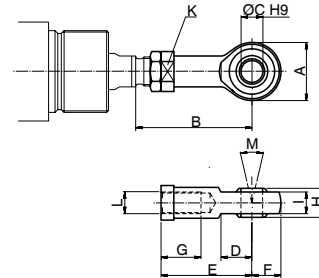
Weight  
kg

**Order code**

32	0.08
40	0.12
50-63	0.25
80-100	0.46
125	1.28

**P1S-4JRT  
P1S-4LRT  
P1S-4MRT  
P1S-4PRT  
P1S-4RRT**

Cyl. Ø mm	A mm	B <sub>min</sub> mm	B <sub>max</sub> mm	C mm	D mm	E mm	F mm	G mm	H mm	I mm	K mm	L	M
32	28	50	55	10	15	43	14	15	14	10.5	17	M10x1.25	24°
40	32	56	62	12	17	50	16	22	16	12	19	M12x1.25	24°
50	42	72	80	16	22	64	21	28	21	15	22	M16x1.5	30°
63	42	72	80	16	22	64	21	28	21	15	22	M16x1.5	30°
80	50	87	97	20	26	77	25	33	25	18	32	M20x1.5	30°
100	50	87	97	20	26	77	25	33	25	18	32	M20x1.5	30°
125	70	123.5	137	30	36	110	35	51	37	25	41	M27x2	30°



**Stainless clevis AP2**



According to ISO 8140  
Intended for articulated mounting of the cylinder. This mounting is adjustable in the axial direction. Supplied complete with pin.

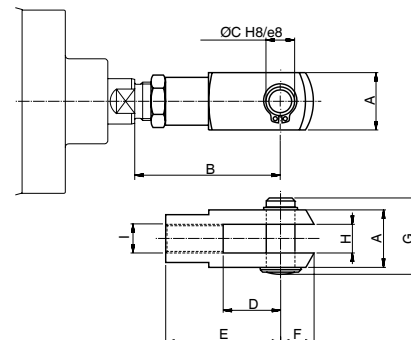
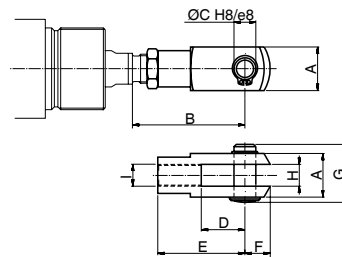
Material:  
Clevis: stainless steel, DIN X 10 CrNiS 18 9  
Pin: stainless steel, DIN X 5 CrNi 18 10  
Locking rings according to DIN 471

32  
40  
50-63  
80-100  
125

0.09  
0.15  
0.35  
0.75  
2.10

**P1S-4JRD  
P1S-4LRD  
P1S-4MRD  
P1S-4PRD  
P1S-4RRD**

Cylinder Ø mm	A mm	B <sub>min</sub> mm	B <sub>max</sub> mm	C mm	D mm	E mm	F mm	G mm	H mm	I mm
32	20	46	52	10	20	40	12	28	10	M10x1.25
40	24	54	60	12	24	48	19	32	12	M12x1.25
50	32	72	80	16	32	64	25	42	16	M16x1.5
63	32	72	80	16	32	64	25	42	16	M16x1.5
80	40	90	100	20	40	80	32	50	20	M20x1.5
100	40	90	100	20	40	80	32	50	20	M20x1.5
125	55	123.5	137	30	54	110	45	72	30	M27x2



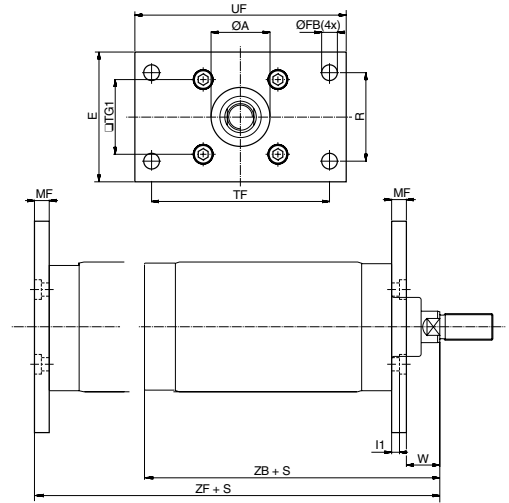


**Cylinder mountings**

Type	Description	Cyl. bore Ø mm	Weight kg	Order code
<b>Stainless flange MF1/MF2</b>	Intended for fixed attachment of cylinder version D, E, F, or L. The flange is designed for mounting on the front or rear end covers.	80	0.97	<b>P1S-4PMB</b> <b>P1S-4QMB</b> <b>P1S-4RMB</b>
		100	1.42	
		125	1.55	



Material:  
Stainless steel, DIN X 5 CrNiMo 17 13 3



Cylinder Ø mm	A mm	FB mm	E mm	R mm	TF mm	TG1 mm	UF mm	MF mm	I1 mm	W mm	ZB mm	ZF mm
80	50.2	12	86	63	126	46	150	12	6	25	178	190
100	51	14	106	75	150	60	170	12	6	23	193	205
125	61	16	132	90	180	76	205	15	8	32	230	245

S = Stroke

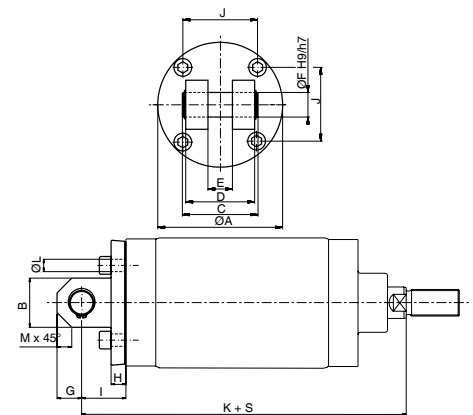
**Stainless clevis bracket MP4**

Intended for articulated mounting of cylinder versions D, F or L. The bracket is mounted on the rear end cover and is supplied complete with shaft, mounting screw and O-ring for a clean joint between end cover and bracket.

80	0.78	<b>P1S-4PME</b> <b>P1S-4QME</b> <b>P1S-4RME</b>
100	1.42	
125	2.06	



Material:  
Bracket: stainless steel, DIN X 5 CrNi 18 10  
Pin: stainless steel, DIN X 5 CrNiMo 17 13 3



Cylinder Ø mm	A mm	B mm	C mm	D mm	E mm	F mm	G mm	H mm	I mm	J mm	K mm	L mm	M mm
80	80	30	57	50	16	16	15	12	32	46	210	8.6	9
100	103	42	67	60	20	20	21	12	37	60	230	10.6	12
125	127	50	77	70	25	25	25	15	45	76	275	12.6	15

S = Stroke

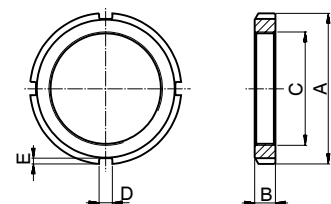
**Stainless Neck nut MR3**

Intended for fixed mounting on the front end cover of cylinders according to cylinder version C or D.

80-100	0.16	<b>9126461304</b> <b>9126461305</b>
125	0.19	



Material:  
Stainless steel, DIN X 5 CrNi 18 10



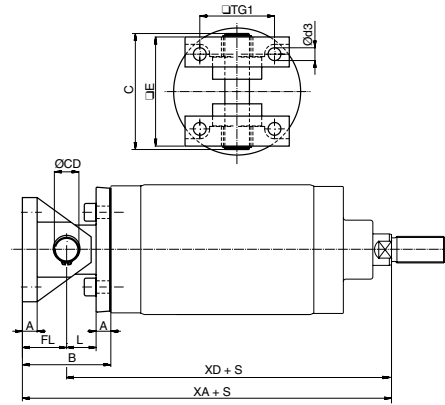
Cylinder Ø mm	A mm	B mm	C	D mm	E mm
80	70	11	M50x1.5	6	2.5
100	70	11	M50x1.5	6	2.5
125	80	11	M60x2	7	3

**Cylinder mountings**

Type	Description	Cyl. bore Ø mm	Weight kg	Order code
<b>Combinated mounting MP2/MP4</b>	Intended for articulated mounting of cylinder versions D, F or L. The unit is mounted on the rear end cover and is combined with bearing brackets MP2 and is supplied complete with shaft, mounting screw and O-ring for a clean joint between end cover and bracket.	80	1.29	<b>P1S-4PML</b> <b>P1S-4QML</b> <b>P1S-4RML</b>
		100	2.33	
		125	3.30	



Material:  
 Bearing brackets: stainless steel, DIN X 5 CrNi 18 10  
 Journal bearing: stainless steel,  
 Journal bearing: DIN X 5 CrNiMo 17 13 3/PTFE  
 Bracket: stainless steel, DIN X 5 CrNi 18 10  
 Pin: stainless steel, DIN X 5 CrNiMo 17 13 3



Cylinder Ø mm	A mm	B mm	C mm	CD mm	d3 mm	E mm	FL mm	L mm	TG1 mm	XA mm	XD mm
80	12	64	82	16	9	74	32	20	46	242	210
100	12	74	98	20	11	90	37	25	60	267	230
125	15	90	118	25	13	110	45	30	76	320	275

S = Stroke

## Our global series of sensors

This series of sensors is already being used or will be used in all future ranges in our global product programme involving cylinders/actuators. The sensors have small installation dimensions and either fit into the groove in the case profile or, as shown here, are fastened to the cylinder using a special attachment.

You can choose from electronic or reed sensors with a range of cable lengths fitted with 8 mm or M12 terminals.



### Electronic sensors

The new electronic sensors are "Solid State", i.e. they have no moving parts at all. They are provided with short-circuit protection and transient protection as standard. The built-in electronics make the sensors suitable for applications with high on and off switching frequency, and where very long service life is required.

#### Technical data

Design	GMR (Giant Magnetic Resistance) magneto-resistive function
Installation	Sensor mounting P8S-TMC01
Outputs	PNP, normally open (also available in NPN design, normally closed, on request)
Voltage range	10-30 VDC 10-18 V DC, ATEX sensor
Ripple	max 10%
Voltage drop	max 2,5 V
Load current	max 100 mA
Internal consumption	max 10 mA
Actuating distance	min 9 mm
Hysteresis	max 1,5 mm
Repeatability accuracy	max 0,2 mm
On/off switching frequency	max 5 kHz
On switching time	max 2 ms
Off switching time	max 2 ms
Encapsulation	IP 67 (EN 60529)
Temperature range	-25 °C to +75 °C -20 °C to +45 °C, ATEX sensor
Indication	LED, yellow
Material housing	PA 12
Material screw	Stainless steel
Cable	PVC or PUR 3x0.25 mm <sup>2</sup> see order code respectively

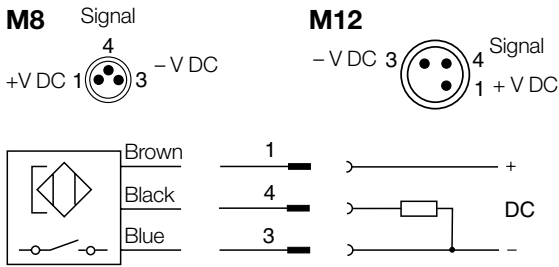
### Reed sensors

The sensors are based on proven reed switches, which offer reliable function in many applications. Simple installation, a protected position on the cylinder and clear LED indication are important advantages of this range of sensors.

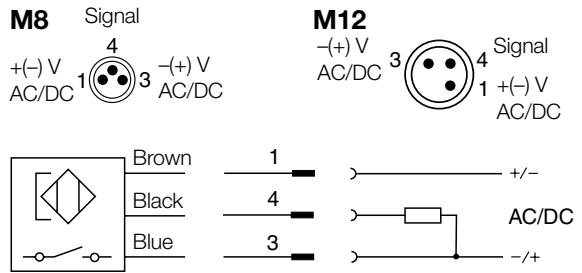
#### Technical data

Design	Reed element
Mounting	Sensor mounting P8S-TMC01
Output	Normally open , or normally closed
Voltage range	10-30 V AC/DC or 10-120 V AC/DC 24-230 V AC/DC
Load current	max 500 mA for 10-30 V or max 100 mA for 10-120 V max 30 mA for 24-230 V
Breaking power (resistive)	max 6 W/VA
Actuating distance	min 9 mm
Hysteresis	max 1,5 mm
Repeatability accuracy	0,2 mm
On/off switching frequency	max 400 Hz
On switching time	max 1,5 ms
Off switching time	max 0,5 ms
Encapsulation	IP 67 (EN 60529)
Temperature range	-25 °C to +75 °C
Indication	LED, yellow
Material housing	PA12
Material screw	Stainless steel
Cable	PVC or PUR 3x0.14 mm <sup>2</sup> see order code respectively

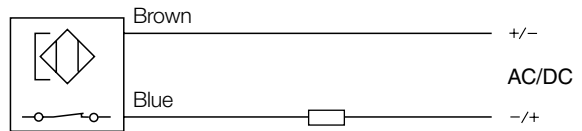
**Electronic sensors**



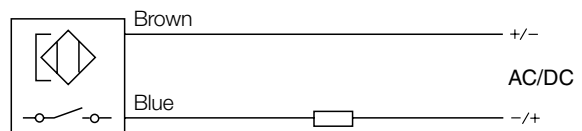
**Reed sensors**



**P8S-GCFPX**

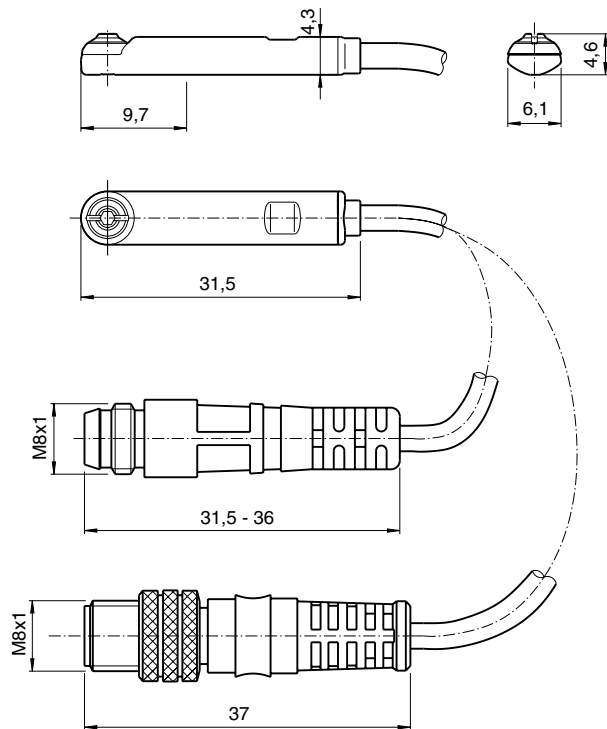


**P8S-GRFLX / P8S-GRFLX2**

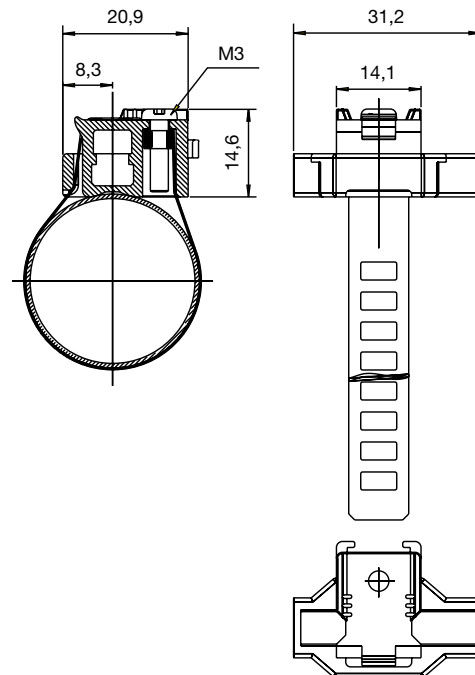


**Dimensions**


**Sensors**



**Sensor mounting P8S-TMC\*\***



## Ordering data

Output/function	Cable/connector	Weight kg	Order code
<b>Electronic sensors , 10-30 V DC</b>			
PNP type, normally open	0.27 m PUR-cable and 8 mm snap-in male connector	0.007	<b>P8S-GPSHX</b>
PNP type, normally open	0.27 m PUR-cable and M12 screw male connector	0.015	<b>P8S-GPMHX</b>
PNP type, normally open	3 m PVC-cable without connector	0.030	<b>P8S-GPFLX</b>
PNP type, normally open	10 m PVC-cable without connector	0.110	<b>P8S-GPFTX</b>
<b>Electronic sensor 18-30 V DC</b>			
<b>ATEX-certified</b>			
 <b>II3G EEx nA II T4X</b> <b>II3D 135 °C IP67</b>			
Type PNP , normally open	3 m PVC-cable without connector	0,030	<b>P8S-GPFLX/EX</b>
<b>Reed sensors , 10-30 V AC/DC</b>			
Normally open	0.27 m PUR-cable and 8 mm snap-in male connector	0.007	<b>P8S-GSSHX</b>
Normally open	0.27 m PUR-cable and M12 screw male connector	0.015	<b>P8S-GSMHX</b>
Normally open	3 m PVC-cable without connector	0.030	<b>P8S-GSFLX</b>
Normally open	10 m PVC-cable without connector	0.110	<b>P8S-GSFTX</b>
Normally closed	5m PVC-cable without connector <sup>1)</sup>	0.050	<b>P8S-GCFPX</b>
<b>Reed sensors. 10-120 V AC/DC</b>			
Normally open	3 m PVC-cable without connector	0.030	<b>P8S-GRFLX</b>
<b>Reed sensorer, 24-230 V AC/DC</b>			
Normally open	3 m PVC-cable without connector	0.030	<b>P8S-GRFLX2</b>
1) Without LED			

## Sensor mounting

Description	Weight kg	Order code
Sensor mounting for cylinder P1S cylinder bore Ø10 to Ø25 mm	0.07	<b>P8S-TMC01</b>
Sensor mounting for cylinder P1S cylinder bore Ø32 to Ø63 mm	0.07	<b>P8S-TMC02</b>
Sensor mounting for cylinder P1S cylinder bore Ø80 to Ø125 mm	0.07	<b>P8S-TMC03</b>

## Connecting cables with one connector

The cables have an integral snap-in female connector.



Type of cable	Cable/connector	Weight kg	Order code
<b>Cables for sensors, complete with one female connector</b>			
Cable, Flex PVC	3 m, 8 mm Snap-in connector	0.07	<b>9126344341</b>
Cable, Flex PVC	10 m, 8 mm Snap-in connector	0.21	<b>9126344342</b>
Cable, Polyurethane	3 m, 8 mm Snap-in connector	0.01	<b>9126344345</b>
Cable, Polyurethane	10 m, 8 mm Snap-in connector	0.20	<b>9126344346</b>
Cable, Polyurethane	5 m, M12 screw connector	0.07	<b>9126344348</b>
Cable, Polyurethane	10 m, M12 screw connector	0.20	<b>9126344349</b>

## Male connectors for connecting cables

Cable connectors for producing your own connecting cables. The connectors can be quickly attached to the cable without special tools. Only the outer sheath of the cable is removed. The connectors are available for M8 and M12 screw connectors and meet protection class IP 65.



Connector	Weight kg	Order code
M8 screw connector	0.017	<b>P8SCS0803J</b>
M12 screw connector	0.022	<b>P8SCS1204J</b>

## Technical data

Operating voltage	max. 32 V AC/DC
Operating current per contact	max. 4 A
Connection cross section	0.25...0.5 mm <sup>2</sup> (conductor diameter min 0.1 mm)
Protection	IP65 and IP67 when plugged and screwed down (EN 60529)
Temperature range	-25...+85 °C



## P1S Series Stainless Steel Pneumatic Cylinders

### Seal kits for P1S cylinders

Complete seal kits consisting of:

- Piston seals
- Cushioning seals
- Piston rod bearing
- Piston rod seal
- Scraper ring
- O-rings

Material specification, see pages 19 and 20.

#### Standard temperature versions

Cylinder designation	Order code
P1S-•032MS	9121659195
P1S-•040MS	9121659196
P1S-•050MS	9121659197
P1S-•063MS	9121659198
P1S-•080MS	9121718905
P1S-•100MS	9121718906
P1S-•125MS	9121718907

#### High temperature versions

Cylinder designation	Order code
P1S-•032MF	9121720595
P1S-•040MF	9121720596
P1S-•050MF	9121720597
P1S-•063MF	9121720598
P1S-•080MF	9121718925
P1S-•100MF	9121718926
P1S-•125MF	9121718927

#### Low temperature versions

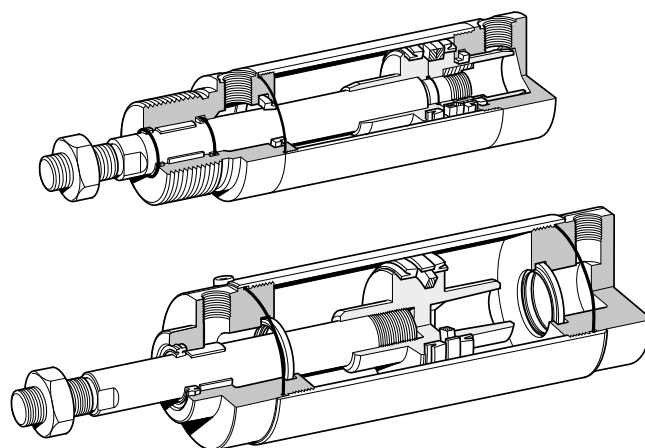
Cylinder designation	Order code
P1S-•080ML	9121718935
P1S-•100ML	9121718936
P1S-•125ML	9121718937

#### Standard temperature with Through rod

Cylinder designation	Order code
P1S-•080FS	9121718955
P1S-•100FS	9121718956
P1S-•125FS	9121718957

#### Standard temperature with stainless steel scraper ring

Cylinder designation	Order code
P1S-•080MQ	9121718915
P1S-•100MQ	9121718916
P1S-•125MQ	9121718917



#### Grease

Version	Weight	Order code
Standard and Low temperature	30 g	9127394541
High temperature	30 g	9127394521

# Parker Worldwide

## Europe, Middle East, Africa

**AE – United Arab Emirates,** Dubai  
Tel: +971 4 8127100  
parker.me@parker.com

**AT – Austria,** Wiener Neustadt  
Tel: +43 (0)2622 23501-0  
parker.austria@parker.com

**AT – Eastern Europe,** Wiener Neustadt  
Tel: +43 (0)2622 23501 900  
parker.easteurope@parker.com

**AZ – Azerbaijan,** Baku  
Tel: +994 50 2233 458  
parker.azerbaijan@parker.com

**BE/LU – Belgium,** Nivelles  
Tel: +32 (0)67 280 900  
parker.belgium@parker.com

**BG – Bulgaria,** Sofia  
Tel: +359 2 980 1344  
parker.bulgaria@parker.com

**BY – Belarus,** Minsk  
Tel: +48 (0)22 573 24 00  
parker.poland@parker.com

**CH – Switzerland,** Etoy  
Tel: +41 (0)21 821 87 00  
parker.switzerland@parker.com

**CZ – Czech Republic,** Klecany  
Tel: +420 284 083 111  
parker.czechrepublic@parker.com

**DE – Germany,** Kaarst  
Tel: +49 (0)2131 4016 0  
parker.germany@parker.com

**DK – Denmark,** Ballerup  
Tel: +45 43 56 04 00  
parker.denmark@parker.com

**ES – Spain,** Madrid  
Tel: +34 902 330 001  
parker.spain@parker.com

**FI – Finland,** Vantaa  
Tel: +358 (0)20 753 2500  
parker.finland@parker.com

**FR – France,** Contamine s/Arve  
Tel: +33 (0)4 50 25 80 25  
parker.france@parker.com

**GR – Greece,** Athens  
Tel: +30 210 933 6450  
parker.greece@parker.com

**HU – Hungary,** Budaörs  
Tel: +36 23 885 470  
parker.hungary@parker.com

**IE – Ireland,** Dublin  
Tel: +353 (0)1 466 6370  
parker.ireland@parker.com

**IL – Israel**  
Tel: +39 02 45 19 21  
parker.israel@parker.com

**IT – Italy,** Corsico (MI)  
Tel: +39 02 45 19 21  
parker.italy@parker.com

**KZ – Kazakhstan,** Almaty  
Tel: +7 7273 561 000  
parker.easteurope@parker.com

**NL – The Netherlands,** Oldenzaal  
Tel: +31 (0)541 585 000  
parker.nl@parker.com

**NO – Norway,** Asker  
Tel: +47 66 75 34 00  
parker.norway@parker.com

**PL – Poland,** Warsaw  
Tel: +48 (0)22 573 24 00  
parker.poland@parker.com

**PT – Portugal**  
Tel: +351 22 999 7360  
parker.portugal@parker.com

**RO – Romania,** Bucharest  
Tel: +40 21 252 1382  
parker.romania@parker.com

**RU – Russia,** Moscow  
Tel: +7 495 645-2156  
parker.russia@parker.com

**SE – Sweden,** Spånga  
Tel: +46 (0)8 59 79 50 00  
parker.sweden@parker.com

**SL – Slovenia,** Novo Mesto  
Tel: +386 7 337 6650  
parker.slovenia@parker.com

**TR – Turkey,** Istanbul  
Tel: +90 216 4997081  
parker.turkey@parker.com

**UA – Ukraine,** Kiev  
Tel: +48 (0)22 573 24 00  
parker.poland@parker.com

**UK – United Kingdom,** Warwick  
Tel: +44 (0)1926 317 878  
parker.uk@parker.com

**ZA – South Africa,** Kempton Park  
Tel: +27 (0)11 961 0700  
parker.southafrica@parker.com

## North America

**CA – Canada,** Milton, Ontario  
Tel: +1 905 693 3000

**US – USA,** Cleveland  
Tel: +1 216 896 3000

## Asia Pacific

**AU – Australia,** Castle Hill  
Tel: +61 (0)2-9634 7777

**CN – China,** Shanghai  
Tel: +86 21 2899 5000

**HK – Hong Kong**  
Tel: +852 2428 8008

**IN – India,** Mumbai  
Tel: +91 22 6513 7081-85

**JP – Japan,** Tokyo  
Tel: +81 (0)3 6408 3901

**KR – South Korea,** Seoul  
Tel: +82 2 559 0400

**MY – Malaysia,** Shah Alam  
Tel: +60 3 7849 0800

**NZ – New Zealand,** Mt Wellington  
Tel: +64 9 574 1744

**SG – Singapore**  
Tel: +65 6887 6300

**TH – Thailand,** Bangkok  
Tel: +662 186 7000

**TW – Taiwan,** Taipei  
Tel: +886 2 2298 8987

## South America

**AR – Argentina,** Buenos Aires  
Tel: +54 3327 44 4129

**BR – Brazil,** Sao Jose dos Campos  
Tel: +55 800 727 5374

**CL – Chile,** Santiago  
Tel: +56 2 623 1216

**MX – Mexico,** Toluca  
Tel: +52 72 2275 4200

### European Product Information Centre

Free phone: 00 800 27 27 5374

(from AT, BE, CH, CZ, DE, DK, EE, ES, FI, FR, IE, IL, IS, IT, LU, MT, NL, NO, PL, PT, RU, SE, SK, UK, ZA)

### Parker Hannifin Ltd.

Tachbrook Park Drive  
Tachbrook Park,  
Warwick, CV34 6TU  
United Kingdom  
Tel.: +44 (0) 1926 317 878  
Fax: +44 (0) 1926 317 855  
parker.uk@parker.com  
www.parker.com

