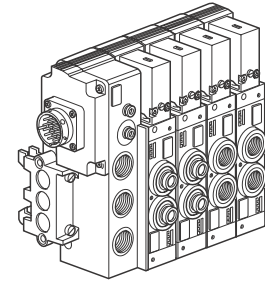


- ñ High flow, compact, light weight
- ñ Push-in or threaded pneumatic outlets
- ñ High performance 15 mm solenoid DIN 43 650 C
- ñ DIN rail or surface mounting
- ñ Electrical head connection by Cable gland, Sub D 25 or Industrial Cylindrical Connection



Dimensions see pages 41 - 42

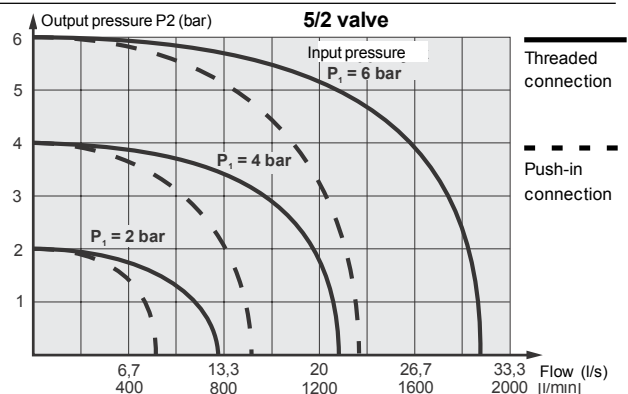
Operating information

Protection level	IP 65	Solenoid voltage	12 to 48 V DC
Working Pressure	2 to 10 bar (3 to 10 bar for Monostable)		24 to 115 V AC (other voltages available as option)
Working temperature	-15 ±C to 60 ±C	Surge consumption	1,2 W 1,6 VA Hold
Storage temperature	-40 ±C to 70 ±C		1,2 W 3,5 VA Inrush
Fluids	Air or gas, 50 µm filtered, lubricated or not	Orientation	Any plane
		Surge suppression	Diode for DC version Varistor for AC version
Mechanical life with dry air at 6 bar, 20 ±C, 1 Hz: 30 million cycles		Inverting commutation time	15 to 112 ms, according types
Duty factor	100 %		
Maximum operating frequency	10 Hz bistable		

Additional information

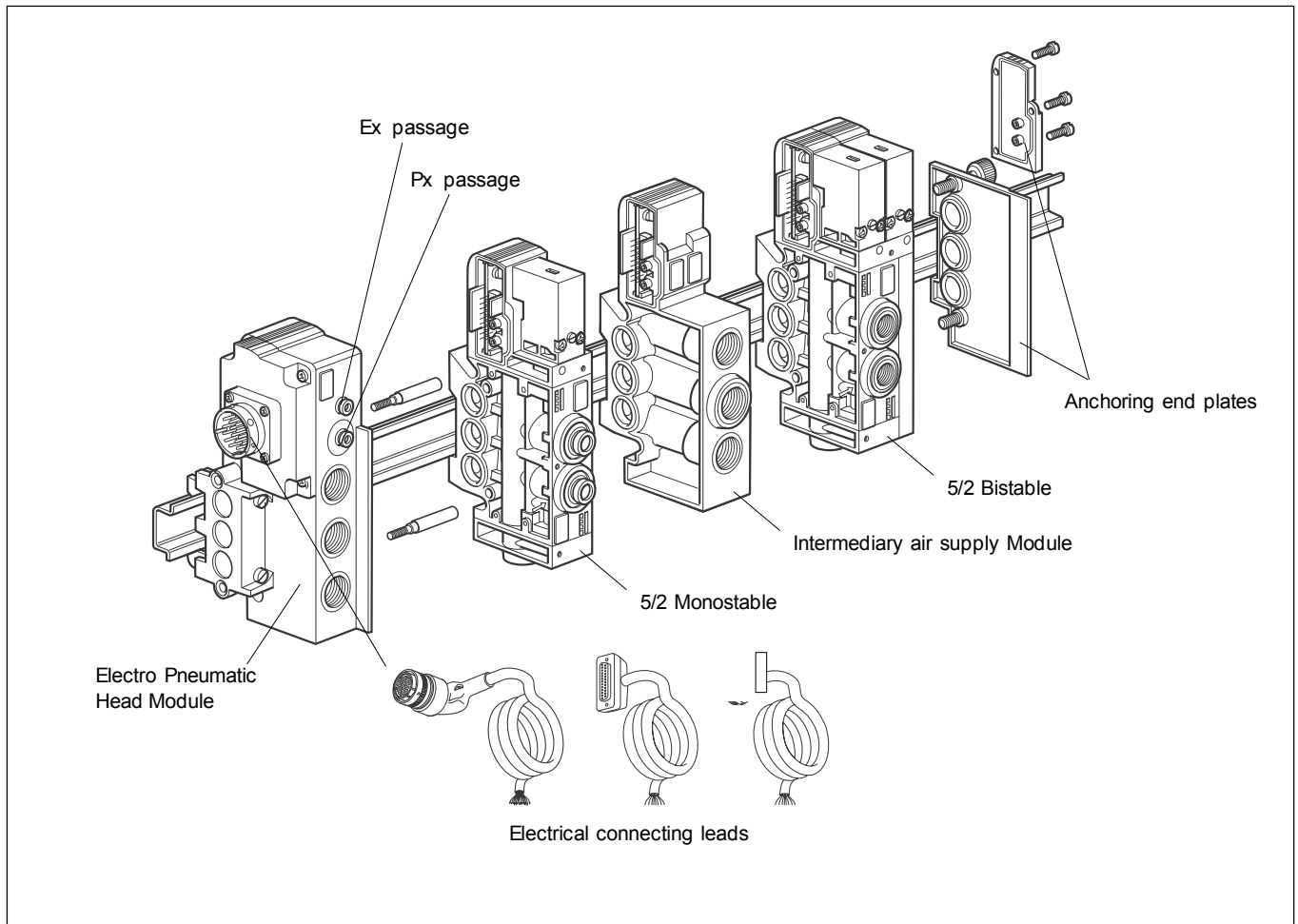
Modules for the DC version are protected against overvoltage up to 300 V. Protections on inductive loads connected to the same source are necessary.

Modules for the AC version fitted with a DC solenoid are compatible with PLC control card NPN protected.

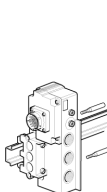
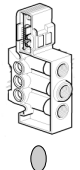


Flow characteristics

	Type 2 x 3/2 G1/8 threaded	Type 2 x 3/2 Push in Ø8 mm	Type 5/2 G1/4 threaded	Type 5/2 Push in Ø8 mm
Qn	9,5 l/s (570 l/min)	9 l/s (540 l/min)	18,33 l/s (1100 l/min)	14 l/s (840 l/min)
Qmax	15,8 l/s (950 l/min)	15 l/s (900 l/min)	30,83 l/s (1850 l/min)	23,3 l/s (1400 l/min)
Cv	0,58	0,55	1,11	0,86
Kv	8,3	7,8	16	12,2
	Type 5/3 closed centre G1/4 threaded	Type 5/3 closed centre Push in Ø8 mm	Type 5/3 vented centre G1/4 threaded	Type 5/3 vented centre Push in Ø8 mm
Qn	13 l/s (780 l/min)	11,6 l/s (700 l/min)	18,33 l/s (1100 l/min)	14 l/s (840 l/min)
Qmax	21,66 l/s (1300 l/min)	19,5 l/s (1170 l/min)	30,83 l/s (1850 l/min)	23,3 l/s (1400 l/min)
Cv	0,79	0,71	1,11	0,86
Kv	11,3	10,2	16	12,2
	Type 5/3 pressurised centre G1/4 threaded	Type 5/3 pressurised centre Push in Ø8 mm		
Qn	11 l/s (660 l/min)	10,5 l/s (630 l/min)		
Qmax	18,33 l/s (1100 l/min)	17,5 l/s (1050 l/min)		
Cv	0,67	0,64		
Kv	9,6	9,2		



Main data for Head and tail Electro-pneumatic modules

	Description	Auxiliary Pressure Px	Electrical Connection	Pneumatic Connection	Order code
	Head modules	Without Px*	HE10 with cable gland	G3/8	PVL-C1713H20A
			Sub D 25	G3/8	PVL-C1713D25A
			Cylindrical connection 19 pins	G3/8	PVL-C1713C19A
	With Px *	HE10 with cable gland	G3/8	PVL-C2713H20A	
		Sub D 25	G3/8	PVL-C2713D25A	
		Cylindrical connection 19 pins	G3/8	PVL-C2713C19A	
	Tail air feed Module	-	G3/8	PVU-LC213 **	
	Intermediary air supply module	-	G3/8	PVU-LC213E ***	
	Pressure isolating discs	-	G1/4	PVL-C1902 Sold by lot of 10	

Ex = to collect the exhausts of the solenoids

* Px = auxiliary air supply for solenoids, separately from the main valves air supply

** To be mounted at the end of the island valves for dual air supply (without electrical connections)

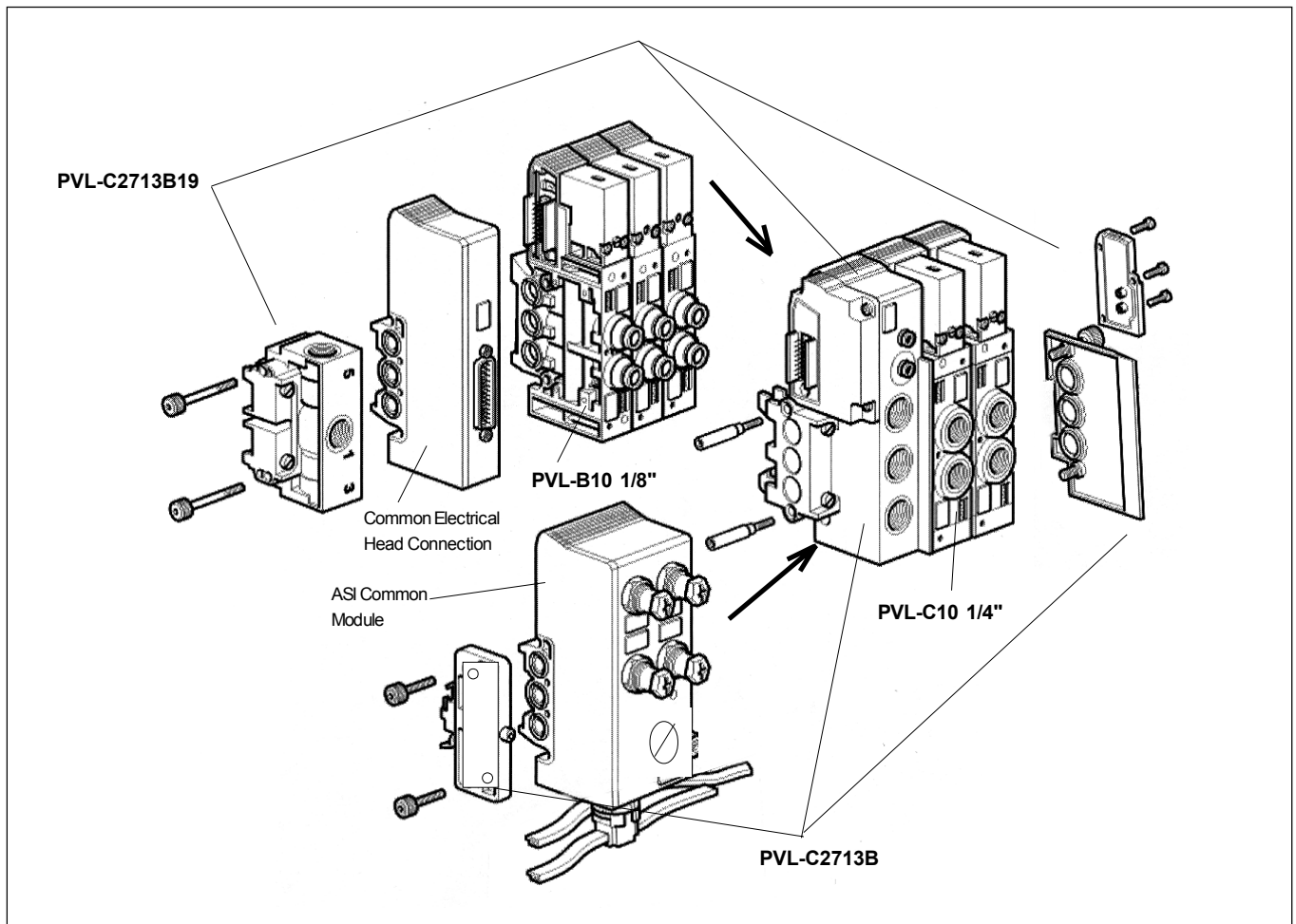
*** For dual air supply ou different supplies, with no defined location in the island valves (with connections fitted)

Main data for PVL-C

Symbol	Actuator	Return	Solenoid Pilot	Pneumtical connection	Weight kg	Voltage	Order code
	Electric double 3/2 NC (2)	Internal air	With	/ 8 G1/4	0,240 0,240	24 VDC 24 VDC	PVL-C10560852B PVL-C10561952B
			Without	/ 8 G1/4 G1/4 G1/4	0,150 0,150 0,150 0,150	DC AC DC AC	PVL-C105608W2 PVL-C105608W1 PVL-C105619W2 PVL-C105619W1
		Spring	With	/ 8 G1/4	0,170 0,170	24 VDC 24 VDC	PVL-C10160852B PVL-C10161952B
			Without	/ 8 / 8 G1/4 G1/4	0,125 0,125 0,125 0,125	DC AC DC AC	PVL-C101608W2 PVL-C101608W1 PVL-C101619W2 PVL-C101619W1
	Electric 5/2 (2)	Internal air	With	/ 8 G1/4	0,170 0,170	24 VDC 24 VDC	PVL-C10360852B PVL-C10361952B
			Without	/ 8 G1/4	0,125 0,125	DC DC	PVL-C103608W2 PVL-C103619W2
	Electric 5/2 (1)	Electric	With	/ 8 G1/4	0,240 0,240	24 VDC 24 VDC	PVL-C10260802B PVL-C10261902B
			Without	/ 8 / 8 G1/4 G1/4	0,150 0,150 0,150 0,150	DC AC DC AC	PVL-C102608W2 PVL-C102608W1 PVL-C102619W2 PVL-C102619W1
		Self centring	With	/ 8 G1/4	0,240 0,240	24 VDC 24 VDC	PVL-C10760802B PVL-C10761902B
			Without	/ 8 / 8 G1/4 G1/4	0,150 0,150 0,150 0,150	DC AC DC AC	PVL-C107608W2 PVL-C107608W1 PVL-C107619W2 PVL-C107619W1
	Electric 5/3 Closed Centre position (1)	Self centring	With	/ 8 G1/4	0,240 0,240	24 VDC 24 VDC	PVL-C10860802B PVL-C10861902B
			Without	/ 8 / 8 G1/4 G1/4	0,150 0,150 0,150 0,150	DC AC DC AC	PVL-C108608W2 PVL-C108608W1 PVL-C108619W2 PVL-C108619W1
		Self centring	With	/ 8 G1/4	0,240 0,240	24 VDC 24 VDC	PVL-C10960802B PVL-C10961902B
			Without	/ 8 / 8 G1/4 G1/4	0,150 0,150 0,150 0,150	DC AC DC AC	PVL-C109608W2 PVL-C109608W1 PVL-C109619W2 PVL-C109619W1

(1) With override non locking flush (version with solenoid fitted)
 (2) With override locking flush (version with solenoid fitted)

- ñ One common Electrical Head Connection for both sizes
- ñ Two separated air feeds 1/4 and 1/8 for dual air supply
- ñ Simple connection of 1/8 and 1/4 sizes (wire free connecting system)
- ñ Up to 21 Pilot Solenoids (Sub D 25 version)
- ñ Up to 32 Pilot Solenoids (Cylindrical 35 version)

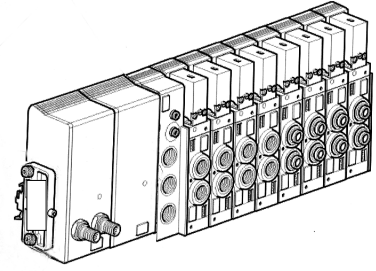


Main data for Combination Kits PVL-B10/PVL-C10

Type of combination module		Connection	Weight kg	Order code
Combination PVL-B10/PVL-C10	Without Px version*	G 1/4 and G 3/8	0,450	PVL-C1713B19
	With Px version(/ 4 mm) *	G 1/4 and G 3/8	0,460	PVL-C2713B19
Combination bus ASI/PVL-C10	Without Px version*	G 3/8	0,380	PVL-C1713B
	With Px version(/ 4 mm) *	G 3/8	0,390	PVL-C2713B

* Px = auxiliary air supply for solenoids, separately from the main valves air supply.

- ñ Total compatibility with ASI Bus
- ñ Islands from 4 to 16 valves output
- ñ Modularity of 4 Outputs
- ñ Protection level IP 65
- ñ One single connection ASI
- ñ One single connection Valve supply 24 V DC



Dimensions see pages 41 - 42

Operating information

ASI Bus Module characteristics

Protection level	IP 65
ASI operating voltage	26,9 to 31,6 V
Solenoid voltage	24 V DC \leq 10%
Operating voltage	0 to 55 \pm C
Vibrations	IEC 68-2-6 1g
Shock	IEC 68-2-27 15 g 11 ms
EMC Protection	IEC 801-2 level 3 IEC 801-3 level 3 IEC 801-4 level 3
Working temperature	0 \pm C to 55 \pm C
Identification code	8.F
Mounting	DIN rail

ASI Network characteristics

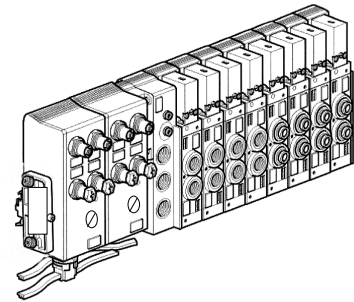
Maximum length	100 m
Maximum length with duplicator	200 m
Node capacity	4 inputs and 4 outputs
Total capacity	124 Inputs and 124 output
Number of nodes	1 to 31
Response time	5 ms maxi
Nodes supply	From the Bus
Total available current	2 A or 5 A

Main data for ASI Bus Modules - Outputs version

Description		Connection	Weight kg	Order code
Head module		M12 ASI and valves supply	0,460	P2S-BA1BA40
Intermediary air feed module		-	0,410	P2S-BA5BA40
Associating module on ASI Bus with	Without Px version*	G 3/8	0,305	PVL-C1713B
air supply	With Px version (\varnothing 4 mm) *	G 3/8	0,310	PVL-C2713B
Connecting lead to the ASI module addressing terminal		-	0,150	P8L-MH02B1

* Px = auxiliary air supply for solenoids, separately from the main valves air supply.

- ñ Total compatibility with ASI Bus
- ñ Islands from 4 to 16 valves output and 4 to 16 inputs
- ñ Protection level IP 65
- ñ Connection M12 or Vampire plug
- ñ ASI indication and 24 V supply diagnostic by LED
- ñ Inputs indication by LED



Dimensions see pages 41 - 42

Operating information

ASI Bus Module characteristics

Protection level	IP 65
ASI operating voltage	26,9 to 31,6 V
Solenoid voltage	24 V DC $\leq 10\%$
Isolation voltage	1500 V
Vibrations	IEC 68-2-6 1g
Shock	IEC 68-2-27 15 g 11 ms
EMC Protection	IEC 801-2 level 3 IEC 801-3 level 3 IEC 801-4 level 3
Bus diagnostic	2 LED, red and green
Solenoid voltage indication	By LED
Short circuit protection	Diagnostic by LED
Working temperature	0 \pm C to 55 \pm C
Storage temperature	-40 \pm C to 70 \pm C
Solenoid voltage	ASI Vampire plug or M12

Identification code	7.F
Bus connection	ASI Vampire plug or M12 Connector
Available current on inputs	200 mA
Compatibility with sensors or photo-cells	2 or 3 wires technology
Inputs	PNP type

ASI Network characteristics

Maximum length	100 m
Maximum length with duplicator	200 m
Node capacity	4 inputs and 4 outputs
Total capacity	124 Inputs and 124 output
Number of nodes	1 to 31
Response time	5 ms maxi
Nodes supply	Through the Bus
Total available current	2 A or 5 A

Main data for ASI Bus Modules - Inputs and Outputs version

Description	Connection	Weight kg	Order code
Head module	M12 ASI and valves air supply	0,460	PVL-BA1BA44
	Vampire ASI and valves air supply	0,460	PVL-BA1BA44V
Intermediary air feed module	-	0,400	PVL-BA5BA44
Associating module on ASI Bus with air supply	Without Px version*	0,305	PVL-C1713B
	With Px version (\varnothing 4 mm) *	0,310	PVL-C2713B
Connecting lead to the ASI module addressing terminal	-	0,150	P8B-AJACK
Spare Vampire cover clip	-	0,150	P8B-AVMP2

* Px = auxiliary air supply for solenoids, separately from the main valves air supply.

Connection

