

ASIC 'Performer'

Pressure Transducers and Transmitters
25, 60, 100, 250, 400 and 600 bar



One product range, designed for many industry applications

All Stainless Steel Construction

A quality range of transducers and transmitters with pressure ratings - 25, 60, 100, 250, 400 and 600 bar. One-piece body and diaphragm machining ensures long-term stability and an all Stainless Steel construction ensures reliability. A cost-effective solution in many industrial applications.



Contact Information:

Parker Hannifin
Hydraulic Filter Division Europe

European Product Information Centre
Freephone: 00800 27 27 5374
(from AT, BE, CH, CZ, DE, EE, ES, FI, FR, IE, IT, PT, SE, SK, UK)
filtrationinfo@parker.com

www.parker.com/hfde

Product Features:

- A quality range of transducers and transmitters with pressure ratings - 25, 60, 100, 250, 400 and 600 bar.
- One-piece body and diaphragm machining ensures long-term stability.
- All Stainless Steel construction.
- Cost-effective solution in many industry applications.
- 0-5 Volt, 1-6 Volt Transducers.
- 4-20mA Transmitters.
- 1/4 " BSP thread.
- M12 or MicroDIN plug options.

ASIC 'Performer'

Pressure Transducers and Transmitters

Applications for the ASIC Performer

- Fork lift trucks - braking and load systems.
- Truck mounted cranes - load safety systems.
- Earth moving machinery - hydraulic gearbox control.
- Racing car - gearbox, fuel, cooling and suspension systems.
- Water usage systems - pressurised systems for industrial and hi-rise usage.
- Forest Machinery - felling and logging.
- Paper mills - speed control and weighing systems.



The Parker Filtration ASIC Performer Pressure Transducers and Transmitters.

The ASIC Performer offers a wide range of pressure sensors for mobile or industrial applications.

These sensors have been designed for the requirements of industrial instrumentation systems. Accordingly, the housings and all components in contact with the medium are made of stainless steel. Thus giving compatibility with a wide range of media. There is a choice of two plug connectors of either DIN or M12. There are

six measuring ranges available and a choice of outputs in the form of either voltage or current signals. Sensors with output signals from 4...20 mA are available in two wire technology.



The built-in voltage regulator allows the sensors to be operated with a supply voltage of 12-36/9-36 Vdc. All sensors are manufactured in our own production facility, typical of Parker Hannifin's continued commitment to flexibility and quality.



The Complete Performer range utilises ASIC technology (Application Specific Integrated Circuit) programmable software.



A comprehensive range of Pressure Transducers and Transmitters are available from Parker Filtration.

- One-piece body and diaphragm machining ensures long-term product stability.
- All stainless steel construction.
- 6 transducer pressure ratings with 0-5Vdc and 1-6Vdc outputs.
- 6 transmitter pressure ratings with a 2-wire 4-20mA output.
- Microdin plug and M12 connector options.



AC/DC display unit (DDU10012 or DDU1002)

Specification

Pressure ranges:
25, 60, 100, 250, 400, 600 bar.

Pressure Tolerance Specifications:

| Rating | Maximum Overload Pressure | Maximum Burst Pressure |
|--------|---------------------------|------------------------|
| 25 | x 2 (50 bar) | x 3 (75 Bar) |
| 60 | x 2 (120 Bar) | x 3 (180 Bar) |
| 100 | x 2 (200 bar) | x 3 (300 Bar) |
| 250 | x 2 (500 Bar) | x 3 (750 Bar) |
| 400 | x 2 (800 Bar) | x 3 (1200 Bar) |
| 600 | x 2 (1200 Bar) | x 2.5 (1500 Bar) |

Vibration resistance:
IEC 60068-2-6:
+/- 5mm/10Hz...32Hz
200m/s² / 32Hz...2kHz

Installation:
Spanner size 22A/F.
Max. (recommended) tightening torque = 30Nm.

Weight:
200 - 230g

Lifespan:
10 million cycles

Thread Forms

G¹/₄ (1/4BSP) with ED seal.
All thread forms and sensor interface are made from 1.4301 stainless steel.
Non standard threads - contact Parker CMC

Electrical

| Supply voltage | Output |
|----------------|----------|
| 12 - 36Vdc | 0 - 5Vdc |
| 12 - 36Vdc | 1 - 6Vdc |
| 9 - 36Vdc | 4 - 20mA |

Transducer current draw = <6mA
Load impedance (ohm) = >10K
Output signal noise = 0.1%FS

Product Performance

Linearity:
Typical: 0.3%FS.
Max: 0.6%FS.

Hysteresis:
Typical: 0.1%FS.
Max: 0.25%FS.

Repeatability:
Typical: 0.2%FS.
Max: 0.4%FS.

Functional temp range:
-40°C to +85°C.

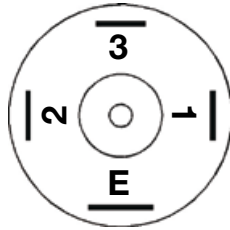
Compensated temperature:
-20°C to +85°C.

Stability:
<0.1%FS/a (typ).

Response time:
= <1mS.

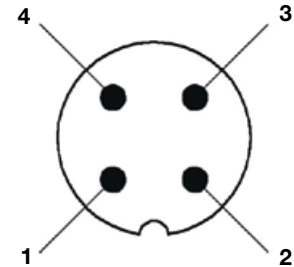
Wiring Information

Connector
Industrial Micro Din
9.4mm



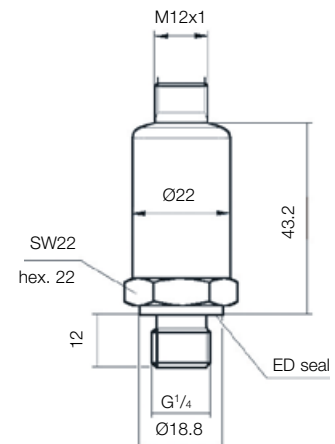
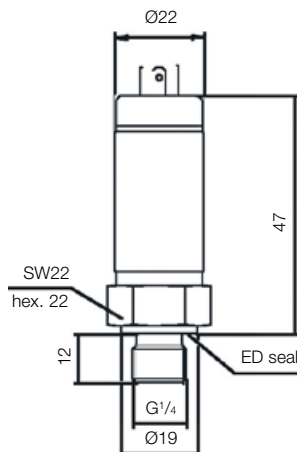
| PIN | 4 - 20mA | 0 - 5Vdc | 1 - 6Vdc |
|-----|----------------|------------------|------------------|
| 1 | Do not connect | Signal output | Signal output |
| 2 | Supply +ve | Supply +ve | Supply +ve |
| 3 | Do not connect | Do not connect | Do not connect |
| E | Return | Supply ref. (0v) | Supply ref. (0v) |

Connector
M12



| PIN | 4 - 20mA | 0 - 5Vdc | 1 - 6Vdc |
|-----|----------------|------------------|------------------|
| 1 | Supply +ve | Supply +ve | Supply +ve |
| 2 | Do not connect | Signal output | Signal output |
| 3 | Return | Supply ref. (0v) | Supply ref. (0v) |
| 4 | Do not connect | Do not connect | Do not connect |

Installation Details



ASIC 'Performer'

Pressure Transducers and Transmitters

Ordering Information

Standard products table

| Product number | Description - pressure transducer | Model | Output | Pressure | Thread form | Connector |
|----------------------|--|-------|--------|----------|-------------|-----------|
| PTDVB2501B1C1 | 0 - 5 Vdc 250 bar 1/4" BSP ED seal micro-din | PTD | VB | 250 | 1 | B1C1 |
| PTDVB4001B1C1 | 0 - 5 Vdc 400 bar 1/4" BSP ED seal micro-din | PTD | VB | 400 | 1 | B1C1 |
| PTDVB2501B1C2 | 0 - 5 Vdc 250 bar 1/4" BSP ED seal M12 | PTD | VB | 250 | 1 | B1C2 |
| PTDVB4001B1C2 | 0 - 5 Vdc 400 bar 1/4" BSP ED seal M12 | PTD | VB | 400 | 1 | B1C2 |
| PTDVB0251B1C1 | 0 - 5 Vdc 25 bar 1/4" BSP ED seal micro-din | PTD | VB | 025 | 1 | B1C1 |
| PTDVB0251B1C2 | 0 - 5 Vdc 25 bar 1/4" BSP ED seal M12 | PTD | VB | 025 | 1 | B1C2 |

| Product number | Description - pressure transmitter | Model | Output | Pressure | Thread form | Connector |
|---------------------|--|-------|--------|----------|-------------|-----------|
| PTXB4001B1C2 | 4 - 20 mA 400 bar 1/4" BSP ED seal M12 | PTX | B | 400 | 1 | B1C2 |
| PTXB0251B1C1 | 4 - 20 mA 25 bar 1/4" BSP ED seal micro-din | PTX | B | 025 | 1 | B1C1 |
| PTXB0251B1C2 | 4 - 20 mA 25 bar 1/4" BSP ED seal M12 | PTX | B | 025 | 1 | B1C2 |
| PTXB4001B1C1 | 4 - 20 mA 400 bar 1/4" BSP ED seal micro-din | PTX | B | 400 | 1 | B1C1 |
| PTXB2501B1C1 | 4 - 20 mA 250 bar 1/4" BSP ED seal micro-din | PTX | B | 250 | 1 | B1C1 |
| PTXB2501B1C2 | 4 - 20 mA 250 bar 1/4" BSP ED seal M12 | PTX | B | 250 | 1 | B1C2 |

Accessories

| Product number | Supersedes | Description |
|-------------------|--------------|----------------------------------|
| P833PVC2M | P.833PVC-2M | 2 meter PVC coated 4 core cable |
| P833PVC5M | P.833PVC-5M | 5 meter PVC coated 4 core cable |
| P833PVC10M | P.833PVC-10M | 10 meter PVC coated 4 core cable |

Note 1: Part numbers featured with bold highlighted codes will ensure a 'standard' product selection.
 Note 2: Alternate displayed part number selection will require you to contact Parker Filtration for availability.

Product configurator

| Product number | Output options | | Pressure range (bar) | | Thread form | | Connector | |
|----------------|----------------|---------------------|----------------------|---------|-------------|-----------------------|-----------|-----------|
| | VB | 0 - 5 Vdc | 025 | 0 - 25 | 1 | 1/4" BSP with ED seal | B1C1 | Micro-din |
| PTX | SB | 1 - 6 Vdc | 060 | 0 - 60 | | | | |
| | B | 4 - 20mA (PTX only) | 100 | 0 - 100 | | | | |
| | | | 250 | 0 - 250 | | | | |
| | | | 400 | 0 - 400 | | | | |
| | | 600 | 0 - 600 | | | | | |

Note 1: Part numbers featured with bold highlighted codes will ensure a 'standard' product selection.
 Note 2: Alternate displayed part number selection will require you to contact Parker Filtration for availability.

Examples of standard part number product ordering

PTDVB2501B1C1 0 – 5 volt output transducer
 250 bar maximum pressure
 1/4" BSP with ED seal
 Industrial micro-din 9.4mm connector

PTXB0251B1C2 4 – 20mA output transmitter
 25 bar maximum pressure
 1/4" BSP with ED seal
 M12 connector
 (See accessories for IP68 protected cable)

PTDSB4001B1C2 1 – 6 volt output transducer
 400 bar maximum pressure
 1/4" BSP with ED seal
 M12 connector
 (See accessories for IP68 protected cable)

