

- Easy operation
- Prevention of measuring errors due to automatic sensor recognition
- Printer and PC connection
- Two-line display
- Rugged design



The **Serviceman** has 2 inputs for sensors. This enables a differential pressure measurement by pressing only one key. Fast comparisons of actual and set values are done very easily.

The **Serviceman** is extremely robust and insensitive to dirt, so that it can be used in even the toughest conditions. The digital display avoids reading errors.

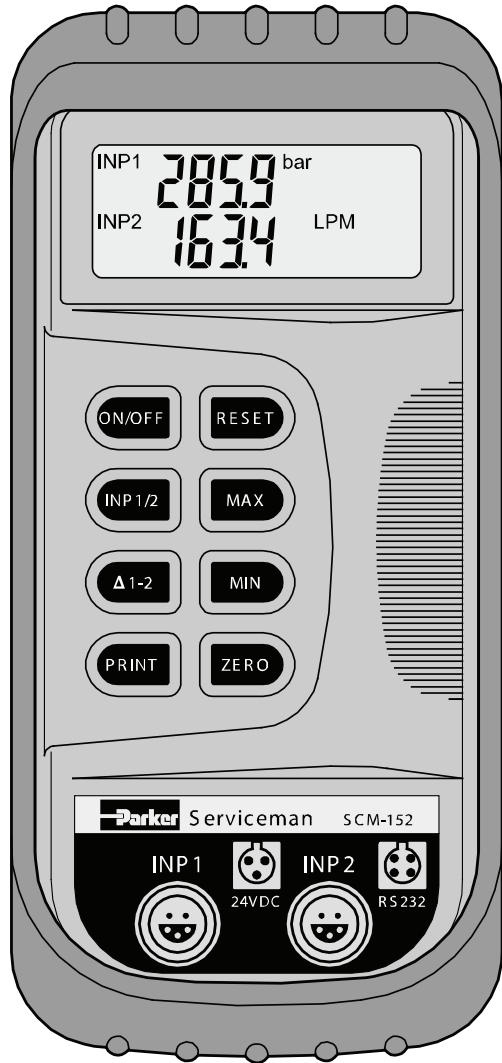
The **Serviceman** is small and light:  
perfect for mobile applications.

**Serviceman incl. external power supply**  
**2 Inputs (5 pin) incl. PC Interface**

The data output can be used to connect a PC. Data printout is valid under the documentation obligatory under ISO 9001.

The Min/Max memory permits the reading of peak values. Pressure peaks which could lead to damage are avoided.

Like all other **SensoControl**<sup>®</sup> measuring devices, the **Serviceman** is provided with sensor recognition. The measuring ranges are automatically scaled and units shown on the display. This avoids measuring errors and time-consuming adjustment work.



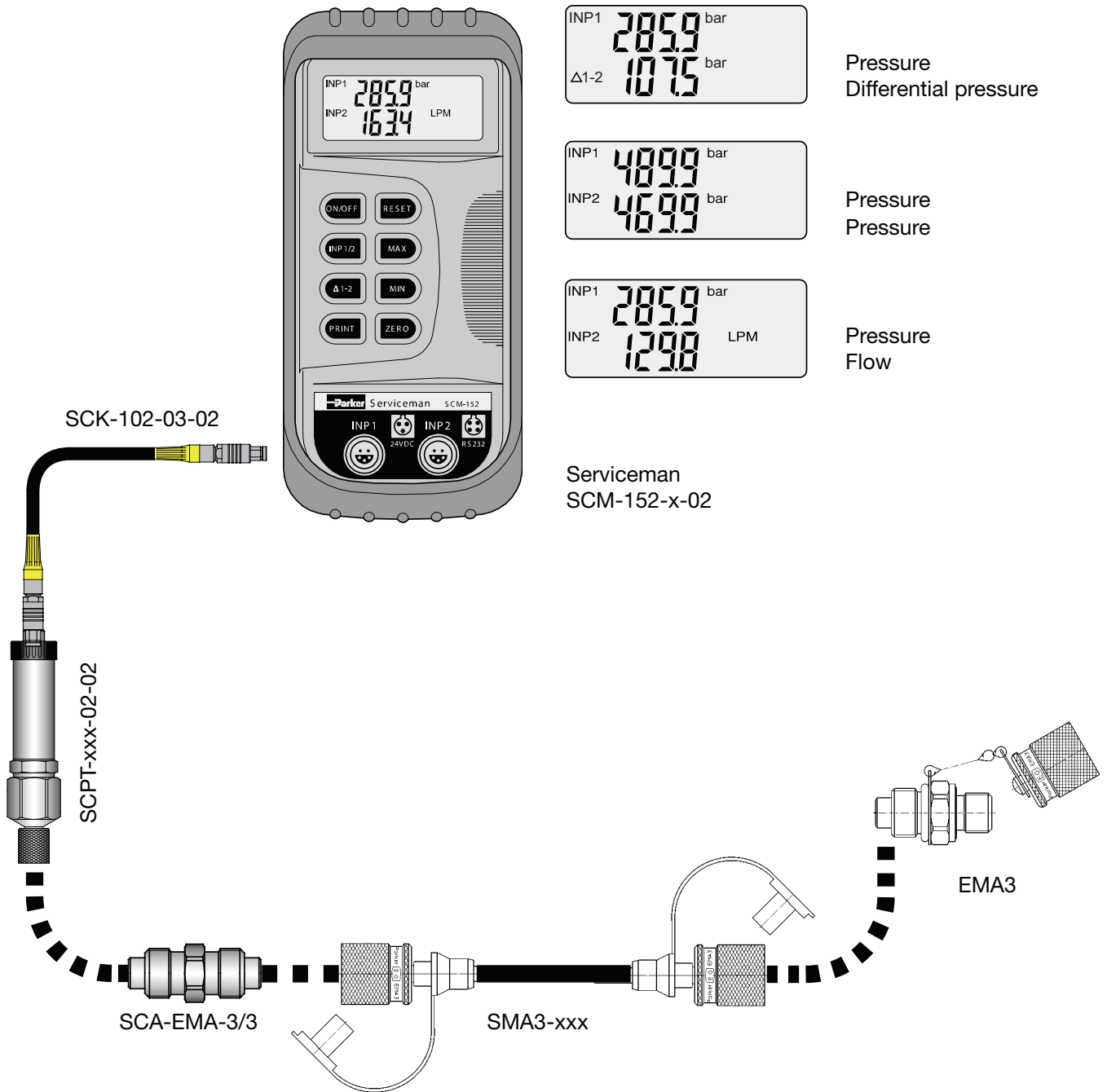
- Display      Display (two line)  
INP1 and INP2; ΔP display  
Battery level display  
MIN: Minimum value
- ON/OFF**      On/off switch
- INP 1/2**      Select button for input
- Δ 1-2**      Differential value display  
e.g. P1 - P2 = ΔP
- PRINT**      Data transfer to PC
- RESET**      Delete MIN/MAX-readings  
INP1 = INP2:  
Equalisation of ΔP-measuring
- MAX**      Maximum value (pressure peaks)
- MIN**      Minimum value
- ZERO**      Zero point equalisation
- INP1/INP2      Sensor inputs  
5-pin = push pull
- 24VDC      Power supply or  
automotive cable adaptor  
SCK-318-05-21
- RS232      PC interface  
SCM-152-2-02

Type	SCM-152-1-02	SCM-152-2-02
PC interface	—	●
Standard delivery includes SCSN-450 (power supply 110/220 VAC)	●	●
<b>Accessories</b>		
Automotive cable adaptor (24 VDC) SCK-318-05-21	●	●
PC-Software Kit SCSW-KIT-152	—	●
Spare battery SC-811	●	●
Charging Unit (220 VAC) for SC-811	●	●

— not available      ● serial

	Serviceman	SCM-152-1-02	SCM-152-2-02
Input	2 sensor inputs (5-pin) push-pull	●	●
Display	LC text display (4 digit), 2 line, digit size 8 mm	●	●
Interface	RS232 (4-pin) optional with a standard RS232/USB PC adaptor	—	●
Functions	MIN-/MAX display Zero point equalisation INP1-INP2 differential reading Battery level display Auto power off (15 min)	●	●
Ambient conditions	Operating temperature: 0 ... +50 °C Storage temperature: -20 ... +60 °C Rel. humidity: < 85% Protection according to (EN 60529) (IP 54)	●	●
Power supply	External power supply SCSN-450 or automotive cable adaptor SCK-313-05-21 (24 VDC) Internal battery 9 V/110 mA/h Battery life 5 h	●	●
Housing	ABS with rubber protection Dimensions: 145 x 70 x 40 mm (L/W/H) Weight: 330 g	●	●

— not available      ● serial

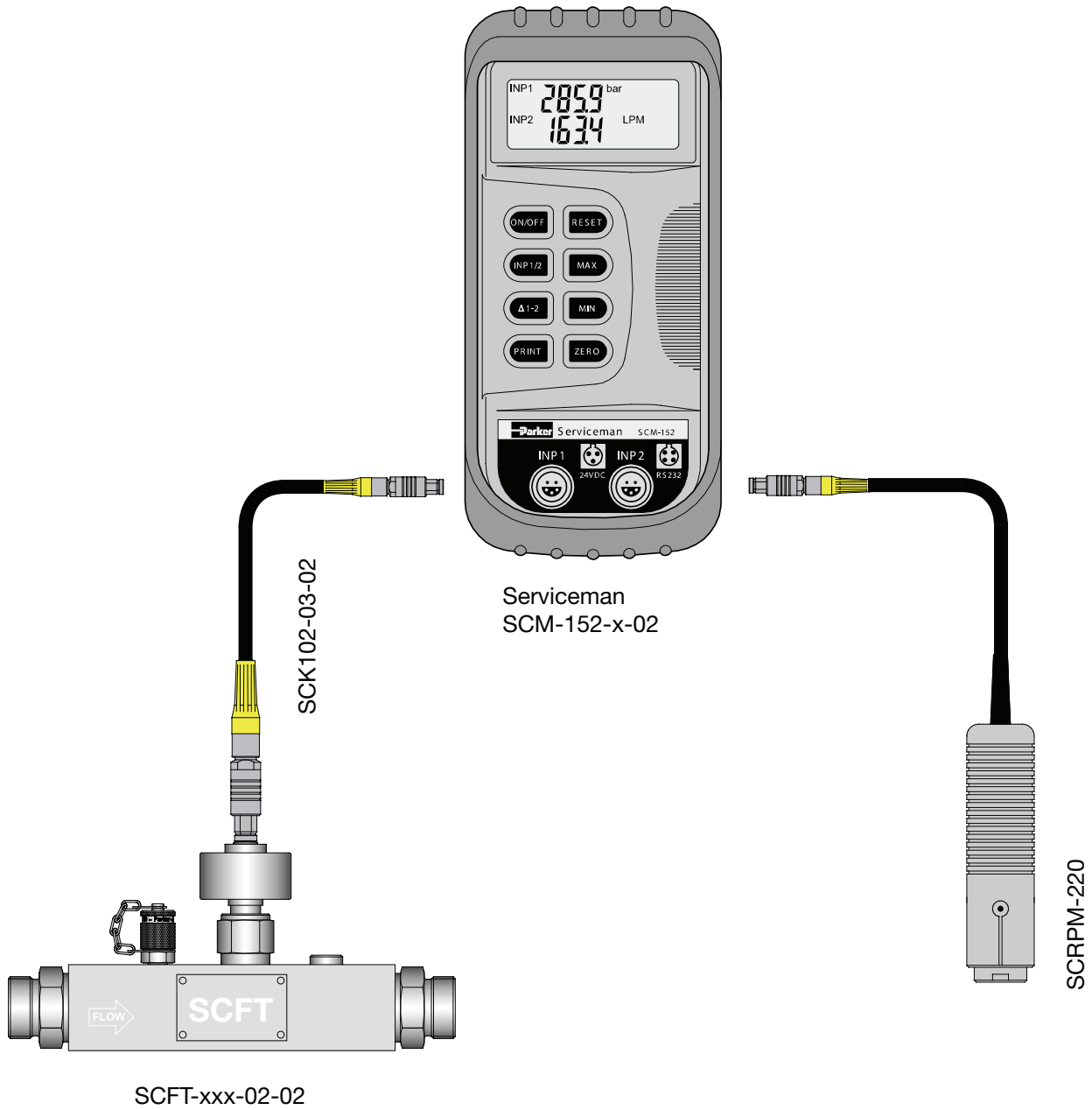


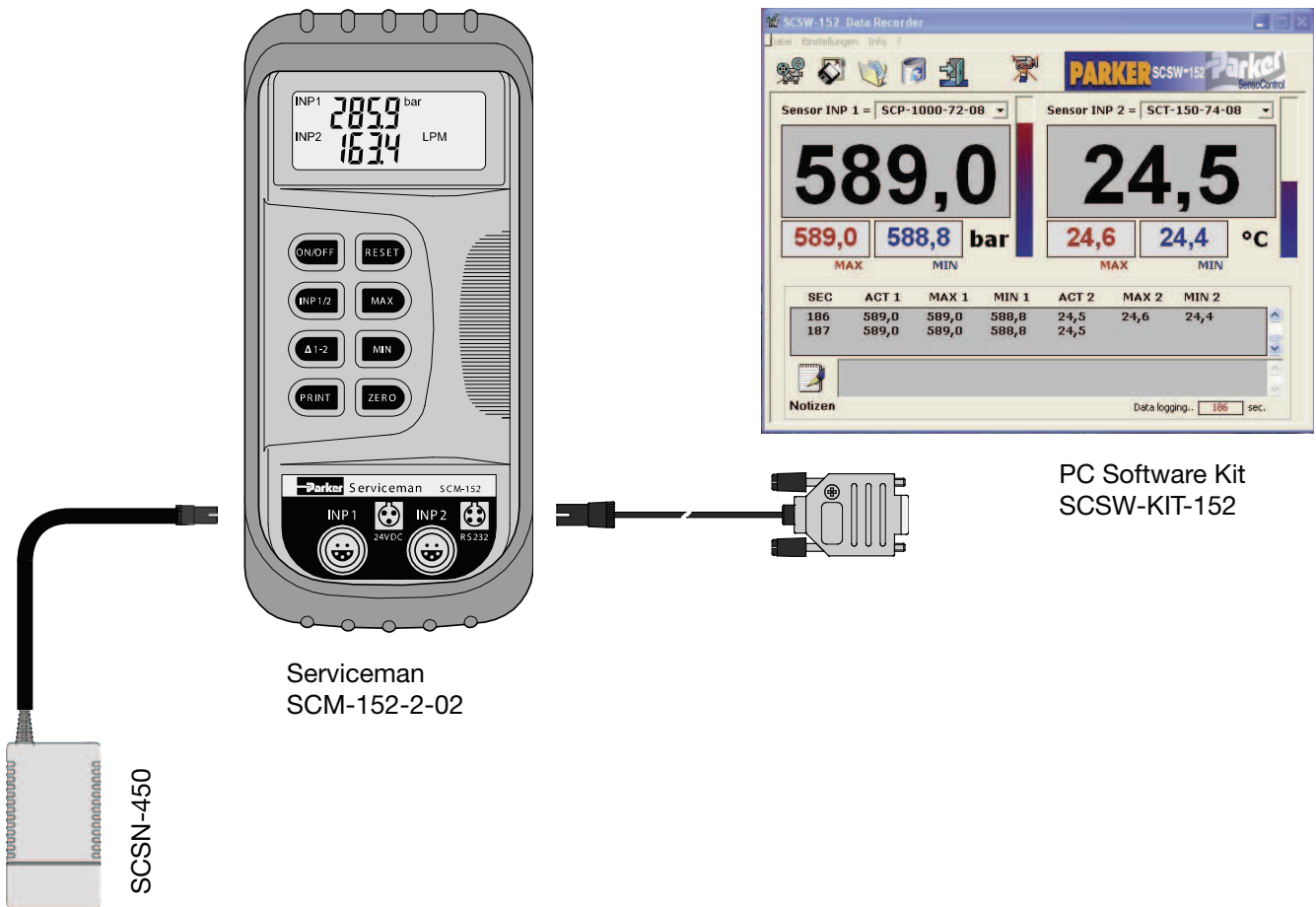
**Pressure Sensors**

There is a selection of various measuring ranges for pressure measurement. Sensors are available for pneumatic applications and also for measuring pressure peaks up to 1000 bar.

**Diagnostic adaptors**

All pressure sensors in a measurement case (kit) are provided with a factory-assembled SCA-1/2-EMA-3 diagnostic adaptor. The pressure sensors can be adapted to all standard measuring connections with the help of diagnostic couplings supplied. They are perfectly suitable for a quick and flexible diagnoses in hydraulic applications.





- Easy operation
- Self running installation
- On-line data recording
- Storage of readings in MS Excel format
- Analysis of data with standard software
- Print out readings on site

Data transfer from Serviceman to PC or laptop is possible with the PC Software Kit.

The software included is compatible with MS Windows 98/2000/XP.

Recorded data can be further processed and analysed with standard software (e.g. MS Excel).