

- Robust stainless steel design
- Response times of 1 ms
- Capturing of pressure peaks
- Accuracy $\pm 0,25$ % typ.
- Flexible operation
- SCPT sensors with 5 pin socket for Serviceman/Service Master



Fast response times guarantee the safe capture of pressure peaks in hydraulic systems. The robust stainless steel construction allows a variety of applications, for example cooling water or pneumatics.

All pressure sensors are delivered with a diagnosis adaptor (M16x2) installed. Connection to the hydraulic system takes place quickly and safely. Times for installation are reduced.

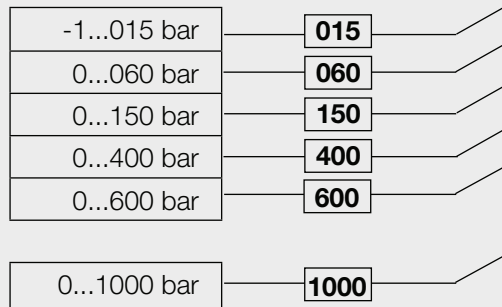
Pressure Range	Applications
-1...015 bar	Pneumatics/ low pressure
0...060 bar	Medium pressure
0...150 bar	Medium pressure
0...400 bar	Operating pressure hydraulics
0...600 bar	High pressure
0 ... 1000 bar	High pressure peaks
Temperature Range	
-25...+105°C	Oil temperature

Serviceman/Service Master

SCPT Pressure/Temperature Sensor

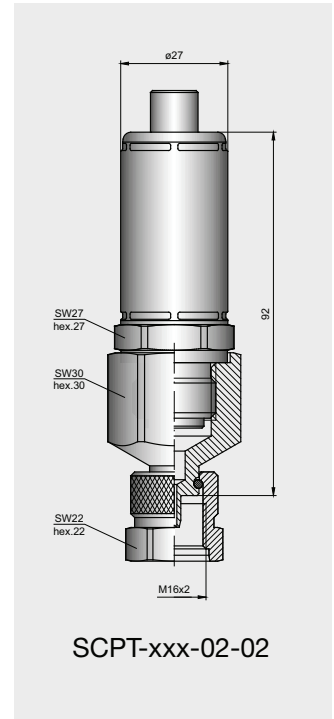
with push-pull connector (5 pin)
+ SCA-1/2-EMA-3

+ SCA-1/2-EMA-3-HP



SCPT-xxx-02-02

Connection cable	#
Serviceman (4 pin) 2 m	SCK-102-02-08
Serviceman/Service Master (5 pin) 3 m	SCK-102-03-02
Extension 5 m	SCK-102-05-12



SCPT-xxx-02-02

#	SCPT-015	SCPT-060	SCPT-150	SCPT-400	SCPT-600	SCPT-1000
Pressure Measuring Range (bar)	-1...015	0...060	0...150	0...400	0...600	0...1.000
Accuracy (± %) FS	typ.	0,25	0,25	0,25	0,25	0,25
	max.	0,5	0,5	0,5	0,5	0,5
Overload Pressure P _{max} (bar)	30	120	300	800	1.200	1.200
Burst Pressure (bar)	150	500	900	1.200	1.800	2.500
Temperature Measuring Range (°C)	-25...+105	-25...+105	-25...+105	-25...+105	-25...+105	-25...+105
Accuracy (± 1,5 %) FS						

FS = Full Scale Range

Response Time (ms)	1
Pressure Port	1/2" BSPP
Housing	Stainless Steel 1.4301
Weight (g)	200
Seal	Viton® (FKM)
Parts in Contact with Media	Stainless Steel 1.4301 Viton® (FKM)

Ambient Temperature Range (°C)	-25...+80
Storage Temperature Range (°C)	-20...+80
T _{max} Fluid (°C)	+105
Reliability Cycles (10 ⁶)	100
Shock Load	IEC 68-2-29
Vibration Resistance	IEC 68-2-6 10...500 Hz