

- ✓ **Easily readable digital display:**
 - Large
 - Bright
- ✓ **Programmable**
- ✓ **Easily selectable units**
- ✓ **Display range can be set**
- ✓ **Input:**
 - current 0/4...20 mA
 - voltage 0...10 V
 - frequency 0...8 kHz
- ✓ **Switching output**
- ✓ **Loop-through function:**
 - analogue output
 - serial interface
- ✓ **Standard housing 96x48mm**



Plenty of connections, flexible display and copious outputs are the main features of the SCE digital display instrument.

The SCE-020 converts standard analogue signals (in the ranges 0...10 V up to 0/4...20 mA) into clearly understandable measurement values/units.

Consequently with the SCE-020, any sensor required (pressure, temperature, torque, length, etc) can be easily displayed.

Functions

The display is easily readable from a considerable distance. To show various measurement values, the desired measurement range as well as the decimal point can be freely set in a user-friendly manner.

Retained units are located on a separate luminescent surface.

Power supply can vary from 11...30 VDC.

By means of the potential-free switching output, a settable limiting value can be monitored.

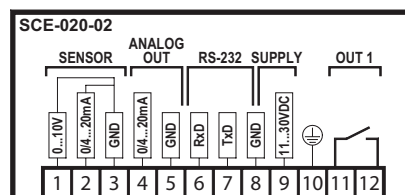
Loop-through function

The analogue output or the RS232 serial interface can forward the signal to an appropriate periphery.

If various measurement values require to be shown simply and flexibly, then the SCE-020 display instrument comes to the fore.

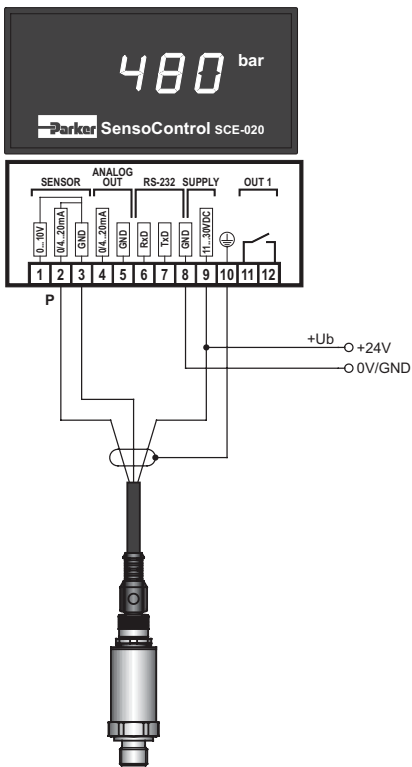
Input	
measurement error	± 0,2 % of the display ± 1 digit
measuring rate	5 ms
	limiting value scanning every 5 ms
measurement range	freely selectable (programming)
Display	
display	4-figure 7-segment LED
display range	-999...9999
digit height	13 mm
decimal point	freely programmable
dimensions display	selectable by attaching a dimension sticker onto the luminescent surface provided
Environmental conditions	
working temperature range	0...+60 °C
storage temperature range	-25...+80 °C
relative humidity	< 80 %
protection class	IP44 nach DIN 40050
Power supply	
auxiliary energy	11...30 VDC
current consumption	approx. 100 mA
Housing	
material	PC ABS black self-extinguishing to UL94V0, for panel and console mounting
frontal dimensions	96x48 mm
mounting depth	131 mm
connector	12-pole terminal strip with wire protection, max. 1,5 mm ²
usage location	any
weight	approx. 200 g

SCE-020-2	
input	0...20 mA
	4...20 mA
	or 0...10 V
input resistance	0...20 mA = 150 Ω
	4...20 mA = 150 Ω
	0...10 V = 67 KΩ
analogue output	0...20 mA
	4...20 mA
working resistance of analogue output	≤ 500 Ω
interface	RS-232C
limiting value	potential-free normally open contact 250 V/5 A max.

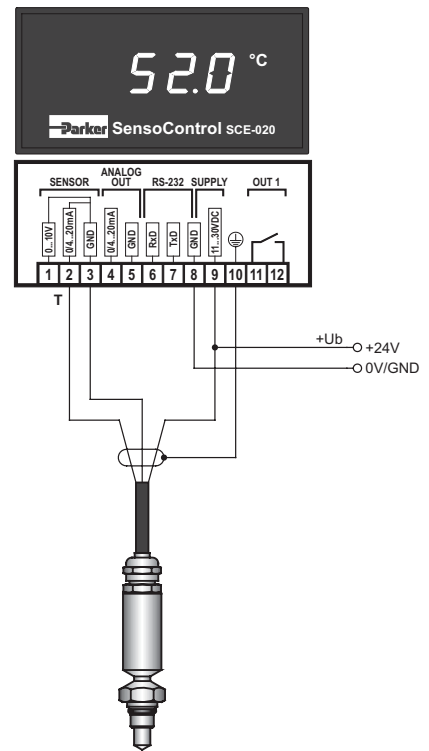


SCE-020 Connection designations

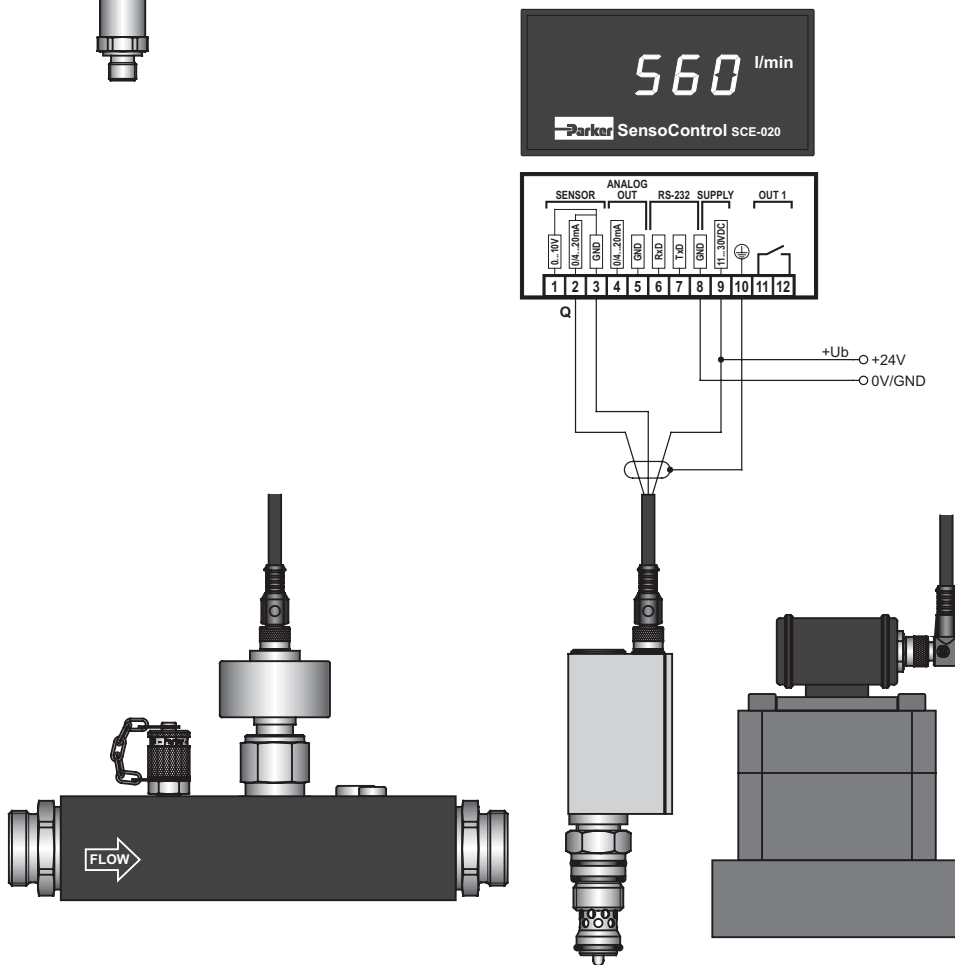
SCE-020-02
SCP Pressure sensor

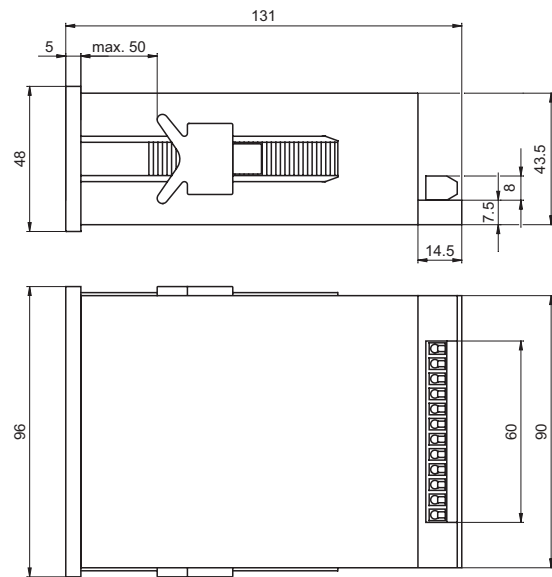
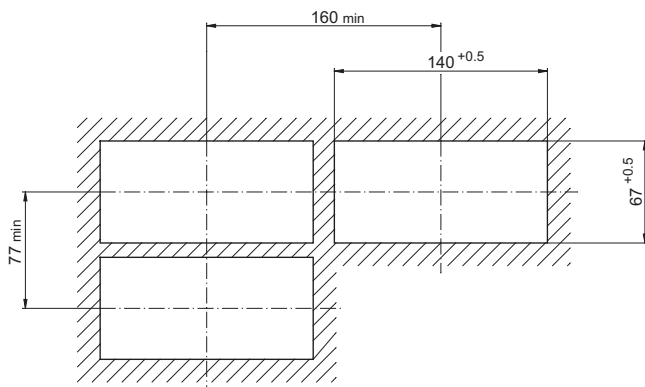


SCE-020-02
SCT Temperature sensor



SCE-020-02
Flow rate sensor





Order codes

SCE-020 input 0/4...20 mA/0...10 V

- analogue output
- + 1 switching output
- + RS232C serial interface

SCE-020-02

Accessories

- data cable SCE – PC
- power supply unit 115/230 VAC

SCK-300-02-31
SCSN-410