

Poppet Valves

Heavy duty poppet valves
G³/₈" G¹/₂" - 2/2, 3/2

Catalogue 2136GB-ca



Heavy duty poppet valves

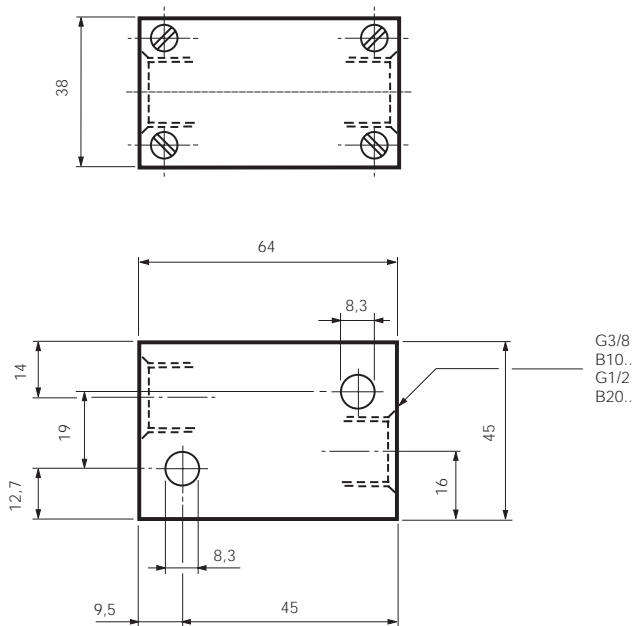
Heavy duty poppet valves 2/2 & 3/2 - G^{3/8}" & G^{1/2}"

Utilising the well proven poppet principle to give high flow rates with short valve travel, both the 2/2 and 3/2 valves in the range are available in G^{3/8}" and G^{1/2}" port sizes. This means that each actuator is available in four configurations i.e. ^{3/8}" ports 2/2 or 3/2 and G^{1/2}" ports 2/2 or 3/2. All valves are normally closed.

The bodies are of block form construction for ease of mounting. Springs are stainless steel; internal seals being of nitrile rubber. The 2/2 body allows air in one direction only, 3/2 versions having the facility of exhausting air through the actuator unit. This exhaust vent is unthreaded on all valves except the pilot and solenoid types which allows the piping away of exhaust air.

All mechanisms are spring returned.

Basic body dimensions



Specification

Material

body	Zinc die cast
Roller	Zinc plated steel
Mechanical arm	Zinc plated steel
Poppet	Brass
Seals	Nitrile
Spring	Stainless steel

Operating information

Working pressure 0-10 bar

Working temperature -10 °C to +80 °C

Flow capacities in accordance with ISO6358

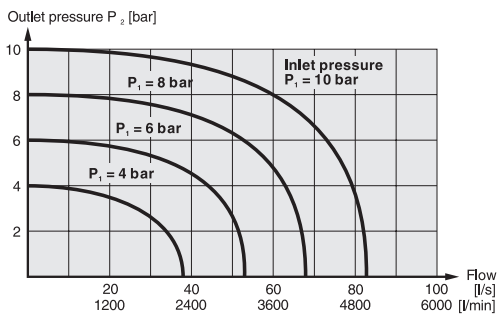
Flow;	B102-B103	B202-B203
	C=7,54	C=10,75 NI/s x bar
	b=0,29	b=0,24
	Qn=33 l/s	Qn=43 l/s
	Qmax=54 l/s	Qmax=75 l/s
	Cv=2,65	Cv=3,20

Options and additional information

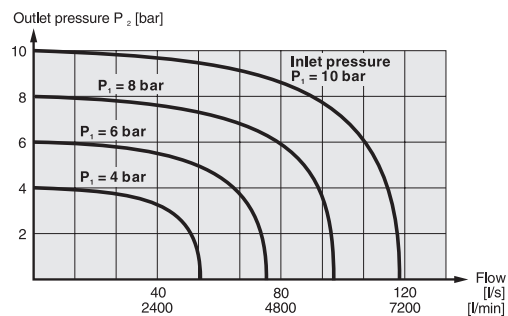
Flow characteristics

Flow capacities in accordance with ISO6358
 Flow measured with valve on manifold
 All pressures = effective pressure

B102



B202



Electrical Information

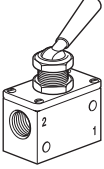
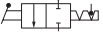
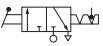
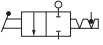
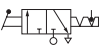
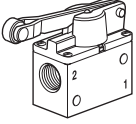
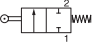
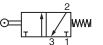
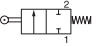
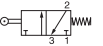
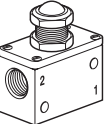
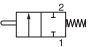
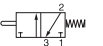
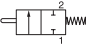
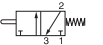
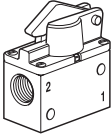
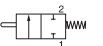
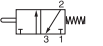
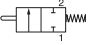
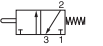
Power consumption	Inrush	Hold	
	AC	9 VA	6 VA
	DC	4 Watt	
Rating	100% continuous		
Isolation class	F		
Protection class	IP 65 (P 54) DIN 40 050		
Connection	DIN 43 650 Form B		
Solenoid response	25 millisecs at 7 bar		
		~	DC
Suffix	50 Hz	=	
S	110	75	
SA	240	160	
TA	24	12	
TF	-	24	
TL	220	150	
	60 Hz		
SC	110	72	
TK	220	145	

External pilot supply option

Solenoid pilot operated valves have an external pilot air supply, but provision for external pilot is provided. To use with external supply remove the plug situated between the body and the housing and place in the internal supply counterbore to shut off that channel, then remove the nylon plug from the external pilot supply port, connecting an air supply as desired. Orientation of the solenoid coil may be altered by removing the four holding screws and repositioning as required.

Heavy duty poppet valves

Main data for mechanically operated valves, Heavy duty poppet Series (NC only)

	Symbol	Type	Connection	Actuator	Return	Operating force at 6 bar, N	Weight Kg	Order code
		2/2	G3/8	Lever				B102L
		3/2	G3/8	Lock down Lever				B103L
		2/2	G1/2	Lock down Lever				B202L
		3/2	G1/2	Lock down Lever				B203L
		2/2	G3/8	Roller-Lever	Spring	36	0,642	B102R
		3/2	G3/8	Roller-Lever	Spring	36	0,630	B103R
		2/2	G1/2	Roller-Lever	Spring	36	0,614	B202R
		3/2	G1/2	Roller-Lever	Spring	36	0,604	B203R
		2/2	G3/8	Ball	Spring	220	0,542	B102C
		3/2	G3/8	Ball	Spring	220	0,532	B103C
		2/2	G1/2	Ball	Spring	220	0,530	B202C
		3/2	G1/2	Ball	Spring	220	0,520	B203C
		2/2	G3/8	Cam	Spring	220	0,586	B102M
		3/2	G3/8	Cam	Spring	220	0,576	B103M
		2/2	G1/2	Cam	Spring	220	0,530	B202M
		3/2	G1/2	Cam	Spring	220	0,520	B203M

Heavy duty poppet valves

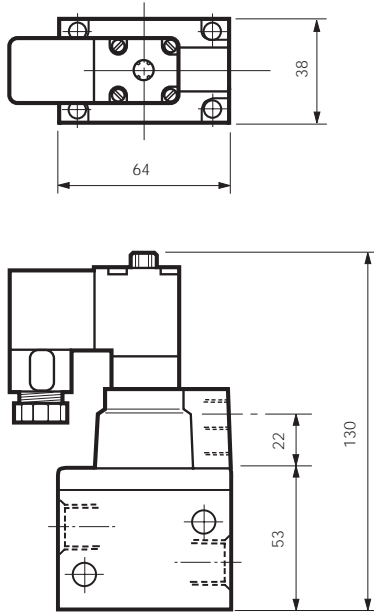
Dimensions, Limit switches Heavy duty poppet

All dimensions in mm unless otherwise stated

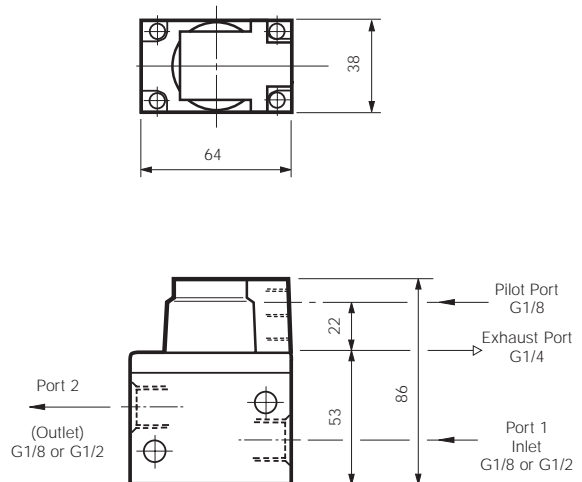
Mechanically operated valves

2/2, 3/2 valves

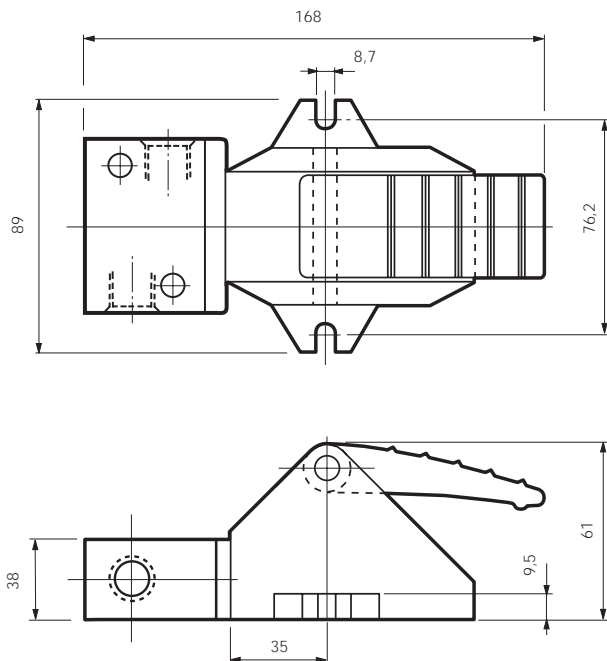
Solenoid pilot operated spring return
DB122, DB123, DB222, DB223



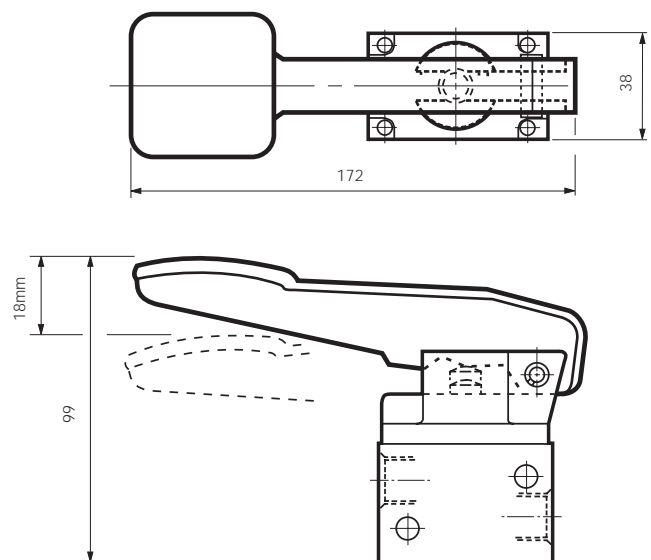
Air pilot operated spring return
B102P, B103P, B202P, B203P



Foot pedal operated spring return
B102F, B103F, B202F, B203F



Hand lever operated spring return
B102E, B103E, B202E, B203E



Heavy duty poppet valves

Dimensions, Limit switches Heavy duty poppet

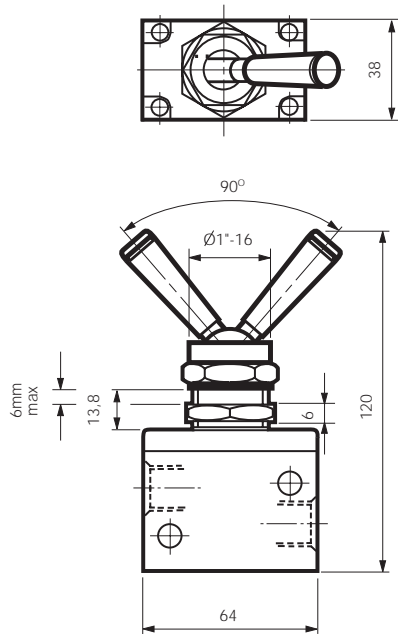
All dimensions in mm unless otherwise stated

Mechanically operated valves

2/2, 3/2 valves

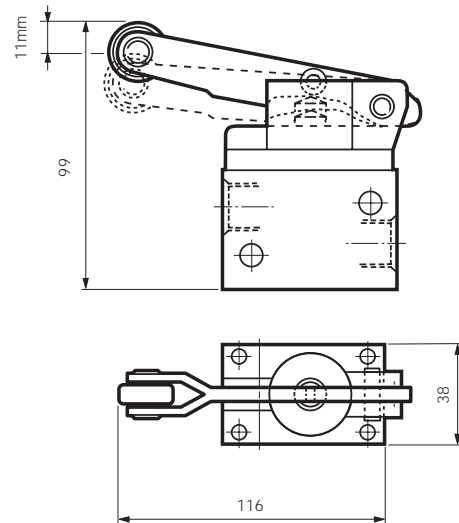
Lock down lever

B102L, B103L, B202L, B203L



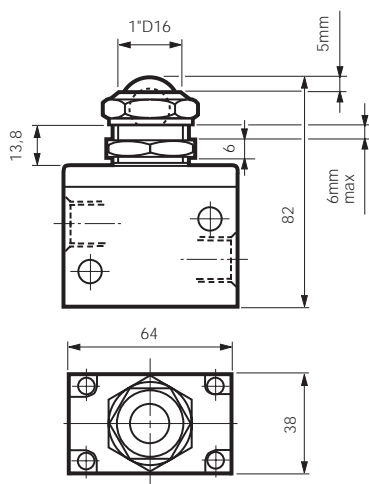
Roller lever operated spring return

B102R, B103R, B202R, B203R



Ball operated spring return

B102C, B103C, B202C, B203C



Cam operated spring return

B102M, B103M, B202M, B203M

