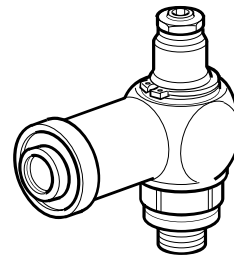


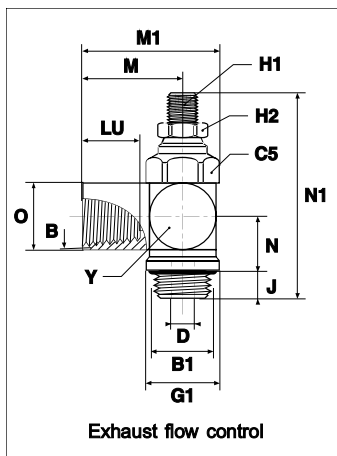
- For direct mounting on to cylinder
- Allen key adjustment with lock nut
- Threaded ports or push-in connection
- Wide range of sizes



Operating and additional information

Operating pressure:	1 to 10 bar
Operating temperature:	-25°C to +100°C
Sealing device:	M5 Nylon washer 1/8 - 1/2 BSPP Nitrile E.D. seal
Terminations:	4mm - 12mm push-in connection 6mm - 12mm compression connection
Body material:	Brass black epoxy coated
Lock nut:	Brass

PTFL4/8PB - Flow regulator with push-in connection



1	B	Part number	C5	D	G1	H1	H2	J	M	M1	N	N1	O	Y	Weight g.
4	M5x0.8	PTFL8PB4M5*	8	1.65	10.0	1.5	8	4	19.5	24.5	6.3	28.5	10	10	15
4	1/8	PTFL4PB4-1/8	14	3.00	14.4	2.0	7	6	22.0	30.1	10.7	43.7	10	14	42
6	M5x0.8	PTFL8PB6M5*	8	1.65	10.0	1.5	8	4	20.5	26.5	7.3	31.0	12	12	19
6	1/8	PTFL4PB6-1/8	14	3.20	14.4	2.0	7	6	23.5	31.6	10.7	43.7	12	14	44
6	1/4	PTFL4PB6-1/4	17	5.20	18.4	4.0	11	7	25.0	34.9	13.8	51.8	12	17	74
6	3/8	PTFL4PB6-3/8	22	5.50	21.6	4.0	11	7	28.0	40.7	17.3	63.7	12	22	147
8	1/8	PTFL4PB8-1/8	14	3.20	14.4	2.0	7	6	25.0	33.1	10.7	43.7	14	14	64
8	1/4	PTFL4PB8-1/4	17	5.20	18.4	4.0	11	7	28.5	38.3	13.8	51.8	14	17	79
8	3/8	PTFL4PB8-3/8	22	6.00	21.6	4.0	11	7	29.5	42.2	17.3	63.7	14	22	152
10	1/4	PTFL4PB10-1/4	17	5.20	18.4	4.0	11	7	31.5	41.3	13.8	51.8	17	17	76
10	3/8	PTFL4PB10-3/8	22	6.00	21.6	4.0	11	7	34.0	46.7	17.3	63.7	17	22	138
10	1/2	PTFL4PB10-1/2	27	8.00	26.5	4.0	14	9	36.5	52.1	20.1	76.1	17	27	224
12	3/8	PTFL4PB12-3/8	22	6.00	21.6	4.0	11	7	34.0	46.7	17.3	63.7	20	22	143
12	1/2	PTFL4PB12-1/2	27	8.50	26.5	4.0	14	9	36.5	52.1	20.1	76.1	20	27	225

* These fittings are supplied with Nylon seal.

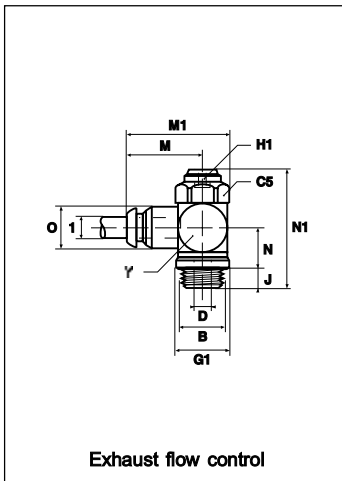
- For direct mounting on to cylinder
- Manual barrel adjustment with lock nut
- Push-in connection
- Wide range of sizes



Operating and additional information

Operating pressure:	1 to 10 bar
Operating temperature:	-25°C to +100°C
Sealing device:	M5 Nylon washer 1/8 - 1/2 BSPP Nitrile E.D. seal
Terminations:	4mm - 12mm push-in connection 1/8 - 1/2 BSPP + M5 Female thread DIN 3852 long
Body material:	Brass blackepoxy coated
Lock nut:	Brass

PTF4/8PB - Flow regulator with push-in connection



1	B	Part number	C5	D	G1	H1	J	M	M1	N	N1	O	Y	Weight g.
4	M5x0.8	PTF8PB4M5*	8	1.65	10.0	1.5	4	19.5	24.5	6.3	22.0	10	10	14
4	1/8	PTF4PB4-1/8	14	3.00	14.4	2.0	6	22.0	30.1	10.7	34.5	10	14	35
6	M5x0.8	PTF8PB6M5*	8	1.65	10.0	1.5	4	20.5	26.5	7.3	24.5	12	12	19
6	1/8	PTF4PB6-1/8	14	3.20	14.4	2.0	6	23.5	31.6	10.7	34.5	12	14	37
6	1/4	PTF4PB6-1/4	17	5.20	18.4	4.0	7	25.0	34.9	13.8	41.0	12	17	65
6	3/8	PTF4PB6-3/8	22	5.50	21.6	4.0	7	28.0	40.7	17.3	51.0	12	22	142
8	1/8	PTF4PB8-1/8	14	3.20	14.4	2.0	6	25.0	33.1	10.7	34.5	14	14	43
8	1/4	PTF4PB8-1/4	17	5.20	18.4	4.0	7	28.5	38.3	13.8	41.0	14	17	70
8	3/8	PTF4PB8-3/8	22	6.00	21.6	4.0	7	29.5	42.2	17.3	51.0	14	22	146
10	1/4	PTF4PB10-1/4	17	5.20	18.4	4.0	7	31.5	41.3	13.8	41.0	17	17	67
10	3/8	PTF4PB10-3/8	22	6.00	21.6	4.0	7	34.0	46.7	17.3	51.0	17	22	131
10	1/2	PTF4PB10-1/2	27	8.00	26.5	4.0	9	36.5	52.1	20.1	61.0	17	27	231
12	3/8	PTF4PB12-3/8	22	6.00	21.6	4.0	7	34.0	46.7	17.3	51.0	20	22	200
12	1/2	PTF4PB12-1/2	27	8.50	26.5	4.0	9	36.5	52.1	20.1	61.0	20	27	232

* These fittings are supplied with Nylon seal.

- For direct mounting on to valve
- For direct mounting on to single acting cylinders
- Adjustment by knob (PWR-E adjusted by screw driver)
- Wide range of sizes



Operating and additional information

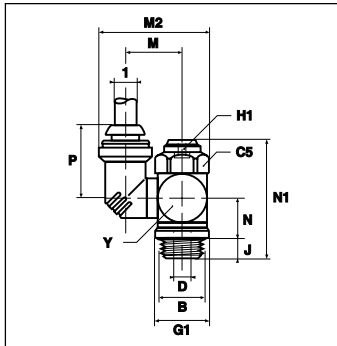
Operating pressure:	1 to 10 bar
Operating temperature:	-25°C to +70°C
Bolt material:	Brass black epoxy coated
Swivel elbow material:	High resistance polyamide
Bolt material:	Brass
Bolt threads:	M5 - 1/8 BSPP - 1/4 BSPP - 3/8 BSPP
Sealing device:	Nylon washer 1/8 - 3/8 BSPP Nitrile E.D. seal
Terminations:	4 - 8 push-in
Adjustment screw:	Brass

Flow adjustment

Flow control is adjusted with an Allen key.

The large number of turns from fully closed to fully open allows for precise flow control.

PTF4/8E6PB - Flow regulator with push-in connection



1	B	Part number	C5	D	G1	H1	J	M	M2	N	N1	P	Y	Weight g.
4	M5x0.8	PTF8E6PB4M5*	8	1.65	10.0	1.5	4	11.7	18.4	6.2	22.5	20.5	10	16
4	1/8	PTF4E6PB4-1/8	14	3.00	14.4	2.0	6	14.3	30.0	10.7	34.5	20.5	14	37
6	M5x0.8	PTF8E6PB6M5*	8	1.65	10.0	1.5	4	12.7	20.4	7.2	24.5	23.0	12	20
6	1/8	PTF4E6PB6-1/8	14	3.20	14.4	2.0	6	15.3	31.0	10.7	34.5	23.0	14	38
6	1/4	PTF4E6PB6-1/4	17	5.20	18.4	4.0	7	17.3	35.0	13.8	41.0	23.0	17	70
6	3/8	PTF4E6PB6-3/8	22	5.50	21.6	4.0	7	19.8	40.0	17.3	51.0	23.0	22	132
8	1/8	PTF4E6PB8-1/8	14	3.20	14.4	2.0	6	16.8	33.5	10.7	34.5	25.0	14	40
8	1/4	PTF4E6PB8-1/4	17	5.20	18.4	4.0	7	18.3	37.0	13.8	41.0	25.0	17	73
8	3/8	PTF4E6PB8-3/8	22	6.00	21.6	4.0	7	20.8	42.0	17.3	51.0	25.0	22	136

* These fittings are supplied with Nylon seal.