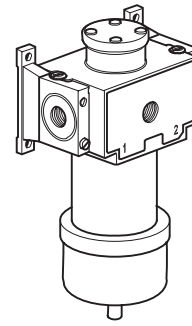


Exhaust silencers

Reclassifier - Silencers

- Removes oil mist from exhaust airs
- Efficiently silences exhaust air
- Easily replaceable element
- Up to 6 exhaust lines
- Gauge measurement of element efficiency
- Modular design



Operating and additional information

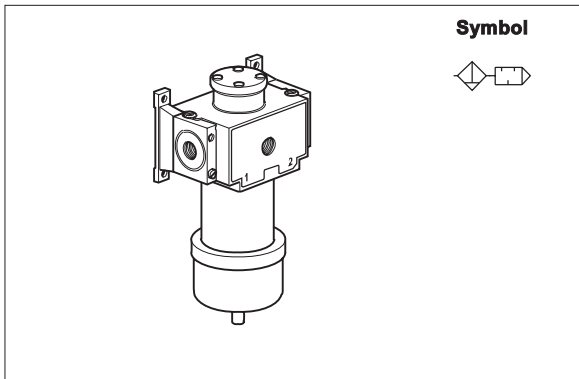
Plastic Working temperature: -0°C to +66°C
Efficiency >99%

Flow rate Max 30/s

The Collectair enables the collection of all the exhaust lines in a system to be routed through a filter element which efficiently removes solid particles and oil vapours. It also silences the exhausting air to approximately 25 dBa. A special gauge shows the level of filter contamination by measuring the over pressure in the element.

Available with either G1/4 , G3/8, G1/2 or G3/4 modular port blocks, the top face of the unit also features 4 rubber grommets for push-in connection of Ø4 mm to Ø10 mm flexible tubing.

Collectair Series, complete units



Note: To connect units in series order a complete unit plus one body connector per additional unit.
Body connector Part No **P3E-KA00CBN**

Port thread	A	A1	B	B1
G1/4	102	185	252	202
G3/8	102	185	252	202
G1/2	102	185	252	202
G3/4	102	185	252	202

C	C1	C2	Weight kg	Order code
91	116	117	1,200	P6R-CB12B*
91	116	117	1,200	P6R-CB13B*
91	116	117	1,200	P6R-CB14B*
91	116	117	1,200	P6R-CB16B*

*Supplied complete with port blocks, wll mounting bracket and pressure gauge to indicate condition

Collectair Series, basic modules

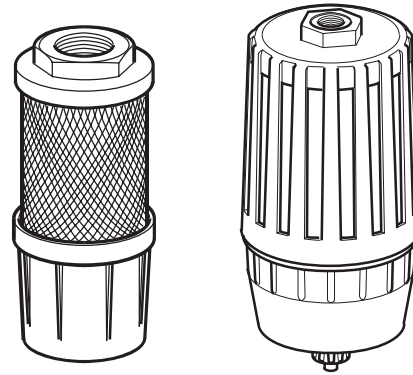
Supplied complete less port blocks, wall brackets and pressure gauge.

Port size	Type of Reclassifier	Weight kg	Order code
None	Collectair	1,076	P6R-CA00N
None	Replacement filter cartridge	0,122	P6R-CK00E

Exhaust silencers

Reclassifier - Silencers Metal Series, Repairable and Disposable versions

- Removes oil mist from exhaust airs
- Efficiently silences exhaust air
- Improves working conditions



Operating and additional information

Metal repairable version

Working temperature 0 °C to 66 °C max.
 Working pressure Max 7 bar
 Efficiency Better than 99%
 Maximum flow rate G1/2, G3/4 small unit 27,8 l/s
 G3/4, G1 large unit 50 l/s

Disposable version

Working temperature 0° C to 52 °C max.
 Working pressure Max 7 bar
 Efficiency Better than 99%
 Maximum flow rate See graph

Disposable version Flow vs. Noise level

Noise level
[dB]

1" open pipe 1/2" open pipe

Flow
[l/s]

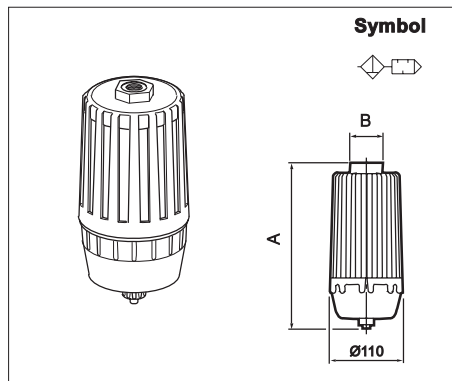
Flow vs. Back pressure

Back pressure
[bar]

Back pressure

Flow
[l/s]

Metal Repairable Series

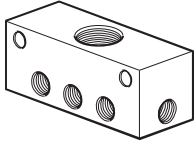


Port thread	Type	A	Ø	A/F B	Weight kg	Order code
G1/2	Small	182	110	50	0,572	3514S
G3/4	Small	182	110	50	0,592	3516S
G3/4	Large	297	110	55	1,100	3516
G1	Large	297	110	55	1,100	3518

Replacement Element	Weight kg	Order code
Small	0,200	3514S-2
Large	0,200	3516-2

Exhaust silencers

Manifold for Metal Repairable version



The manifold is available for G3/4 sizes only.
For other sizes consult Technical Sales Dep't.

No ports	Weight kg	Order code
5	0,270	M3516-5
7	0,432	M3516-7
9	0,574	M3516-9
11	0,722	M3516-11
13	0,870	M3516-13

Wall mounting kit	0,040	3516-W
--------------------------	-------	---------------

Disposable version



Symbol



Port size	Weight kg	Order code
G1/2	0,104	ECSB2
G3/4	0,134	ECSB4