



# Pneumatic Cylinders


Short stroke cylinders  
Series C05 and C05S

Catalogue PDE2560TCUK-ul




Features	Air cylinder	Hydraulic cylinder	Electro mechanical actuators
Overload safe	***	***	*
Easy to limit force	***	***	*
Easy to vary speed	***	***	*
Speed	***	**	**
Reliability	***	***	***
Robustness	***	***	*
Installation cost	***	*	**
Ease of service	***	**	*
Safety in damp environments	***	***	*
Safety in explosive atmospheres	***	***	*
Safety risk with electrical installations	***	***	*
Risk of oil leak	***	*	***
Clean, hygienic	***	**	*
Standardised measurements	***	***	*
Service life	***	***	*
Hydraulic system required	***	*	***
Weight	***	**	**
Purchase price	***	**	*
Power density	**	***	*
Noise level during operation	**	***	**
High force for size	**	***	*
Positioning possibilities	*	***	***
Total energy consumption	*	**	***
Service interval	*	**	***
Compressor capacity required	*	***	***


\* = good, \*\*=average, \*\*\*=excellent



**Important**  
 Before attempting any external or internal work on the cylinder or any connected components, make sure the cylinder is vented and disconnect the air supply in order to ensure isolation of the air supply.



**Note**  
 All technical data in this catalogue are typical data only.  
 Air quality is essential for maximum cylinder service life (see ISO 8573).



**WARNING**

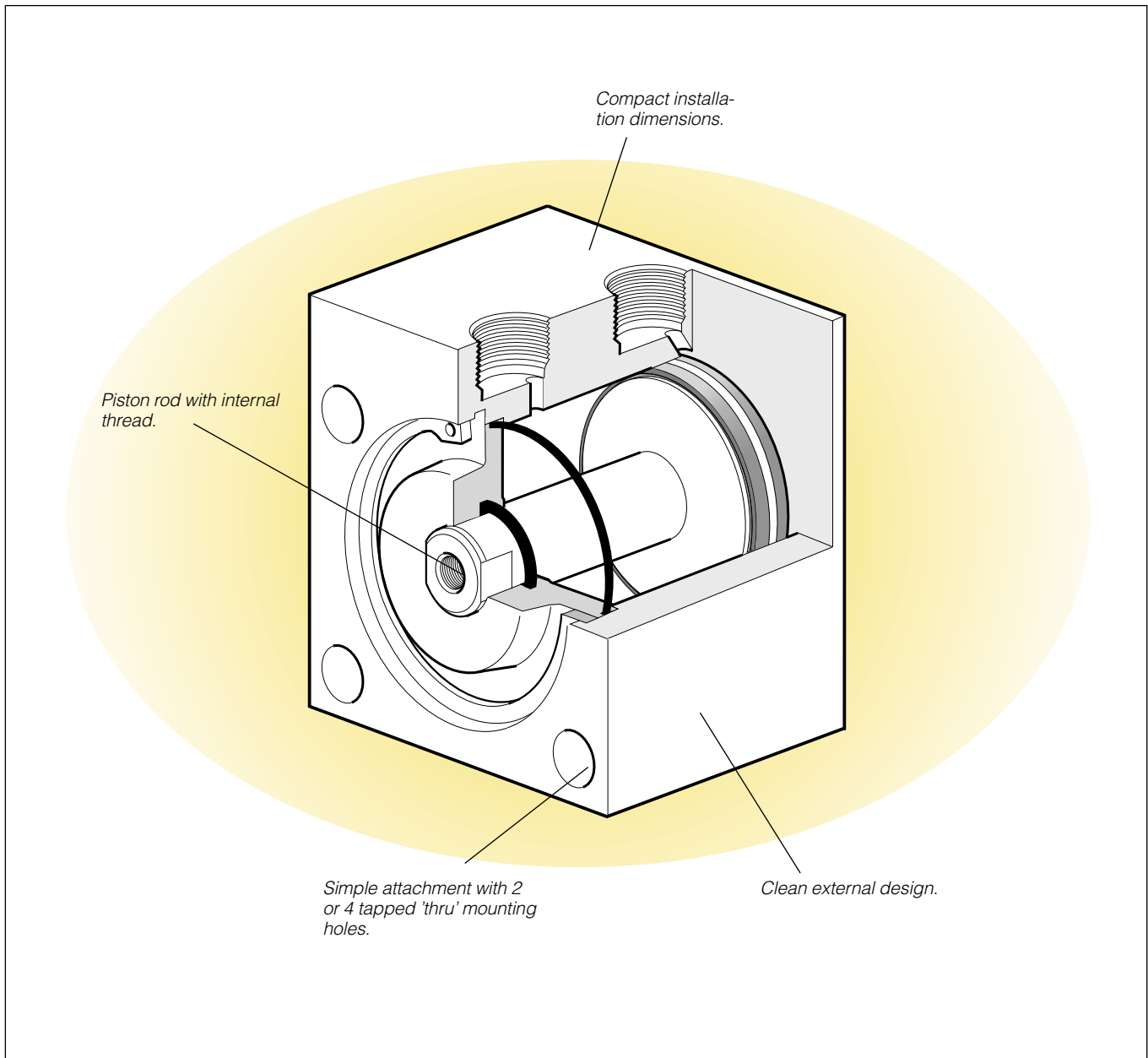
**FAILURE OR IMPROPER SELECTION OR IMPROPER USE OF THE PRODUCTS AND/OR SYSTEMS DESCRIBED HEREIN OR RELATED ITEMS CAN CAUSE DEATH, PERSONAL INJURY AND PROPERTY DAMAGE.**

This document and other information from Parker Hannifin Corporation, its subsidiaries and authorized distributors provide product and/or system options for further investigation by users having technical expertise. It is important that you analyze all aspects of your application and review the information concerning the product or system in the current product catalog. Due to the variety of operating conditions and applications for these products or systems, the user, through its own analysis and testing, is solely responsible for making the final selection of the products and systems and assuring that all performance, safety and warning requirements of the application are met. The products described herein, including without limitation, product features, specifications, designs, availability and pricing, are subject to change by Parker Hannifin Corporation and its subsidiaries at any time without notice.

**SALE CONDITIONS**

The items described in this document are available for sale by Parker Hannifin Corporation, its subsidiaries or its authorized distributors. Any sale contract entered into by Parker will be governed by the provisions stated in Parker's standard terms and conditions of sale (copy available upon request).

<b>Contents</b>	<b>Page</b>
General description C05 .....	4
Main data.....	5
Material specifications.....	5
Working medium, air quality .....	5
Order key.....	6
Order codes for C05 and C05S cylinders .....	6
Dimensions, basic cylinder .....	7



### Cylinders, type C05 and C05S

Compact short stroke cylinders are available in single as well as double acting versions. Ideally suited for clamping and locking operations the range includes bores from 12 to 63 mm, providing thrust forces of up to 3000 N.

The design has been optimized to include the following features:

#### Installation

The compact design with mounting holes through the cylinder body makes the unit easy to install in confined spaces.

#### Clean design

The main body is machined from one piece thus providing an easy to clean unit. Fitted with stainless steel piston rod as standard for corrosion resistance.

#### Maintenance free

The units are pre-lubricated for use also without additional lubrication, reducing maintenance costs as well as providing an improved working environment.

**Main data**

Cylinder	Cylinder bore		Piston rod		Theor. piston force at 6 bar in N		Air consumption <sup>1)</sup> l	Spring force N	Stroke mm	Weight Kg
	mm	area cm <sup>2</sup>	diam mm	area cm <sup>2</sup>	plus stroke	minus stroke				
<b>C05S-8-4-4</b>	8	0.5	4	0.13	28	-	0,0045	2	4	0.016
<b>C05S-12-5-4</b>	12	1.1	5	0.20	65	-	0,0099	3	4	0.023
<b>C05S-20-10-4</b>	20	3.1	10	0.79	184	-	0,0151	6	4	0.067
<b>C05S-32-12-5</b>	32	8.0	12	1.13	463	-	0,0653	17	5	0.192
<b>C05S-50-16-10</b>	50	19.6	16	2.01	1145	-	0,1695	35	10	0.416
<b>C05S-63-16-10</b>	63	31.1	16	2.01	1825	-	0,2602	45	10	0.663
<b>C05-12-5-10</b>	12	1.1	5	0.20	68	56	0,0186	-	10	0.045
<b>C05-20-1 0-10</b>	20	3.1	10	0.79	190	143	0,0505	-	10	0.125
<b>C05-32-12-10</b>	32	8.0	12	1.13	480	415	0 1236	-	10	0.320
<b>C05-32-12-25</b>	32	8.0	12	1.13	480	415	0 1236	-	25	0.400
<b>C05-50-16-25</b>	50	19.6	16	2.01	1180	1060	0,3167	-	25	0.675
<b>C05-63-16-25</b>	63	31.1	16	2.01	1870	1750	0,4982	-	25	0.800

1) Consumption of free air per 10 mm stroke for a double stroke at 600 kPa (6 bar).

**Additional data**

Working pressure Max 10 bar  
Working temperature -20 °C to +70 °C

Prelubricated, further lubrication is not normally necessary.  
If additional lubrication is introduced it has to be continued.

**Material specifications**

Cylinder housing Black anodized aluminium  
Front end cover, single action Ø50-63 Black anodized aluminium  
Front end cover, other Brass  
Piston rod bearing single action Ø50-63 PTFE/Brass/steel  
Piston rod bearing, other Brass  
Piston, Ø8-32 mm Stainless steel  
Piston, Ø50-63 mm Aluminium  
Piston rod Stainless steel  
Seals Nitrile, NBR  
Circlip Steel spring  
Return spring Surface treated steel spring

**Working medium, air quality**

Working medium Dry, filtered compressed air to ISO 8573-1 class 3.4.3.

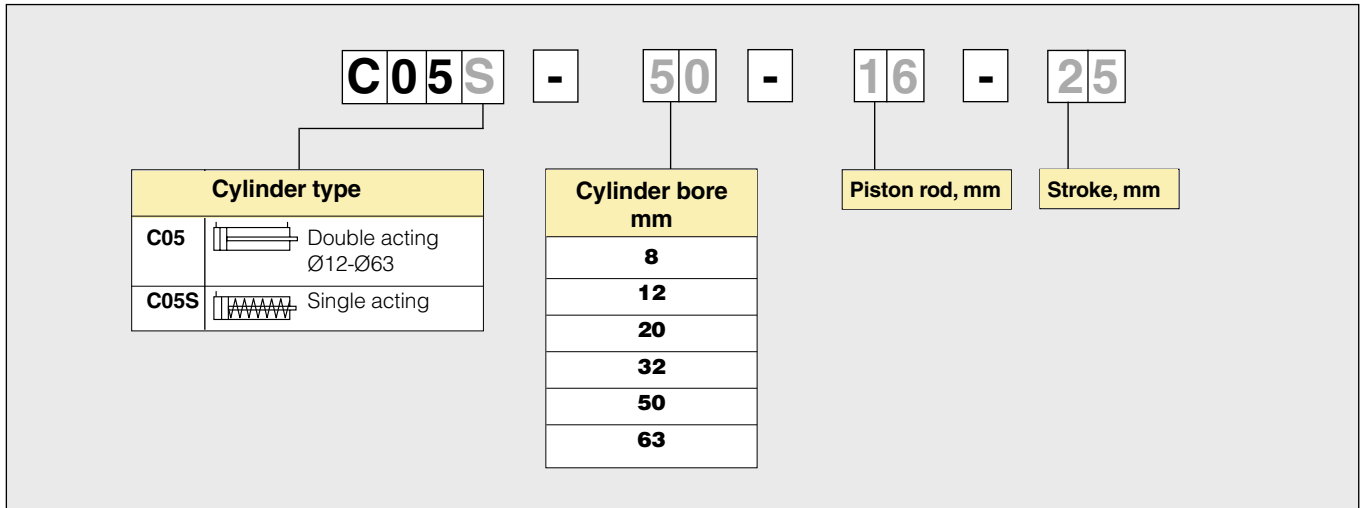
**Recommended air quality for cylinders**

For best possible service life and trouble-free operation, ISO 8573-1 quality class 3.4.3 should be used. This means 5 µm filter (standard filter) dew point +3 °C for indoor operation (a lower dew point should be selected for outdoor operation) and oil concentration 1.0 mg oil/m<sup>3</sup>, which is what a standard compressor with a standard filter gives.

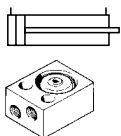
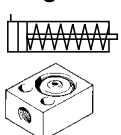
**ISO 8573-1 quality classes**

Quality class	Pollution		Water max. press. dew point (°C)	Oil max concentration (mg/m <sup>3</sup> )
	particle size (µm)	max concentration (mg/m <sup>3</sup> )		
<b>1</b>	0,1	0,1	-70	0,01
<b>2</b>	1	1	-40	0,1
<b>3</b>	5	5	-20	1,0
<b>4</b>	15	8	+3	5,0
<b>5</b>	40	10	+7	25
<b>6</b>	-	-	+10	-

## Order key



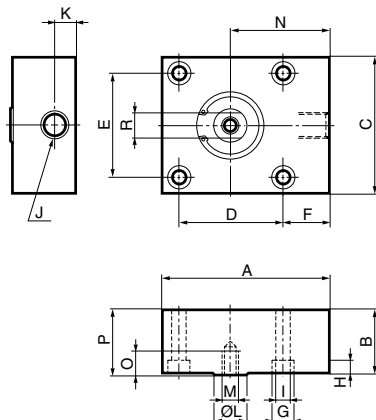
## Main data for C05 and C05S cylinders

Symbol	Cyl. dia. mm	Piston rod mm	Spring force		Conn. thread	Stroke mm	Weight Kg	Designation
			Max N	Min N				
	<b>12</b>	5/-			M5	10	0,01	<b>C05-12-5-10</b>
	<b>20</b>	10/M5			M5	10	0,25	<b>C05-20-10-10</b>
	<b>32</b>	12/M6			G1/8	10	0,30	<b>C05-32-12-10</b>
					G1/8	25	0,79	<b>C05-32-12-25</b>
	<b>50</b>	16/M8			G1/4	25	0,65	<b>C05-50-16-25</b>
<b>63</b>	16/M8			G1/4	25	1,07	<b>C05-63-16-25</b>	
	<b>8</b>	4/-	3	2	M5	4	0,02	<b>C05S-8-4-4</b>
	<b>12</b>	5/-	7	3	M5	4	0,02	<b>C05S-12-5-4</b>
	<b>20</b>	10/M5	10	6	G1/8	4	0,16	<b>C05S-20-10-4</b>
	<b>32</b>	12/M6	25	19	G1/8	5	0,21	<b>C05S-32-12-5</b>
	<b>50</b>	16/M8	42	35	G1/4	10	0,36	<b>C05S-50-16-10</b>
	<b>63</b>	16/M8	58	45	G1/4	10	0,56	<b>C05S-63-16-10</b>

Indicated cylinder forces are theoretical and should be reduced according to the working conditions.

## Dimensions, basic cylinder

### Single acting



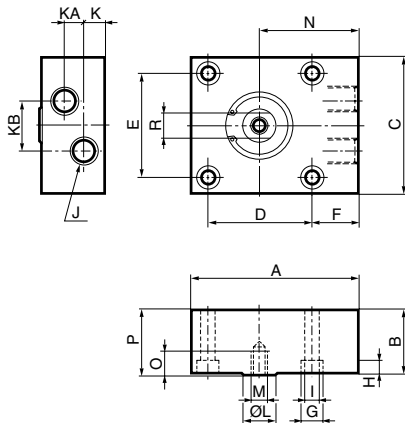
### CAD drawings on the Internet

Our home page [www.parker.com/euro\\_pneumatic](http://www.parker.com/euro_pneumatic) includes the AirCad Drawing Library with 2D and 3D drawings for the main versions.

Type	A	B	C	D	E	F	G	H	I	J	K	KA	KB	L
C05S-8-4-4	20	16	18	0*	11	5,5	6	3,4	3,4	M5	5,0	-	-	4
C05S-12-5-4	25	16	20	0*	13	7,0	6	3,4	3,4	M5	6,0	-	-	5
C05S-20-10-4	40	20	32	0*	20	9,0	10	5,0	5,5	G1/8	9,5	-	-	10
C05S-32-12-5	55	26	45	0*	32	14,0	10	5,0	5,5	G1/8	9,5	-	-	12
C05S-50-16-10	80	30	65	50	50	22,5	11	6,5	6,5	G1/4	11,0	-	-	16
C05S-63-16-10	90	35	80	62	62	19,0	15	9,0	9,0	G1/4	11,0	-	-	16

Type	M	N	O	P	R
C05S-8-4-4	-	13,5	-	17	-
C05S-12-5-4	-	15,0	-	17	-
C05S-20-10-4	M5	24,0	8	21	-
C05S-32-12-5	M6	32,0	12	27	9
C05S-50-16-10	M8	47,5	12	31	14
C05S-63-16-10	M8	50,0	14	36	14

### Double acting



Type	A	B	C	D	E	F	G	H	I	J	K	KA	KB	L
C05-12-5-10	25	27	20	0*	13	7,0	6	3,4	3,4	M5	6,0	13,0	3	5
C05-20-10-10	40	30	32	0*	20	9,0	10	5,0	5,5	M5	6,0	16,0	6	10
C05-32-12-10	55	36	45	0*	32	14,0	10	5,0	5,5	G1/8	9,5	16,5	14	12
C05-32-12-25	55	51	45	0*	32	14,0	10	5,0	5,5	G1/8	9,5	31,5	0**	12
C05-50-16-25	80	50	65	50	50	22,5	11	6,5	6,5	G1/4	11,0	28,0	0**	16
C05-63-16-25	90	55	80	62	62	19,0	15	9,0	9,0	G1/4	11,0	33,0	0**	16

Type	M	N	O	p	R
C05-12-5-10	-	16,0	-	28	-
C05-20-10-10	M5	24,0	8	31	-
C05-32-12-10	M6	32,0	12	37	9
C05-32-12-25	M6	32,0	12	52	9
C05-50-16-25	M8	47,5	12	51	14
C05-63-16-25	M8	50,0	14	56	14

\* Only two mounting holes (F).

\*\* Connections in-line.

**www.parker.com**

## **Pneumatic Division Sales Offices**

---

**Austria - Wr.Neustadt**  
Tel: +43 2622 23501  
Fax: +43 2622 66212

**Norway - Langhus**  
Tel: +47 6491 1000  
Fax: +47 6491 1090

**Belgium - Nivelles**  
Tel: +32 67 280 900  
Fax: +32 67 280 999

**Poland - Warsaw**  
Tel: +48 22 573 24 00  
Fax: +48 22 573 24 03

**Czech & Slovak  
Republics - Klecany**  
Tel: +420 284 083 111  
Fax: +420 284 083 112

**Portugal - Leça da  
Palmeira**  
Tel: +351 22 999 7360  
Fax: +351 22 996 1527

**Denmark - Ballerup**  
Tel: +45 43 560400  
Fax: +45 43 733107

**Romania - Bucharest**  
Tel: +40 21 252 1382  
Fax: +40 21 252 3381

**Finland - Vantaa**  
Tel: +358 9 4767 31  
Fax: +358 9 4767 3200

**Russia - Moscow**  
Tel: +7 095 234 0054  
Fax: +7 095 234 0528

**France - Contamine**  
Tel : +33 4 50 25 80 25  
Fax : +33 4 50 03 67 37

**Slovenia - Novo mesto**  
Tel: +386 7337 6650  
Fax: +386 7337 6651

**Germany - Kaarst**  
Tel: +49 2131 4016-0  
Fax: +49 2131 4016-9199

**Spain - Madrid**  
Tel: +34 91 675 7300  
Fax: +34 91 675 7711

**Greece - Athens**  
Tel: +30 210 933 6450  
Fax: +30 210 933 6451

**Sweden - Spånga**  
Tel: +46 (0) 8 5979 5000  
Fax: +46 (0) 8 5979 5120

**Hungary - Budapest**  
Tel: +36 1 220 4155  
Fax: +36 1 422 1525

**Switzerland**  
Tel: +49 2131 4016-0  
Fax: +49 2131 4016-9199

**Ireland - Dublin**  
Tel: +353 1 293 9999  
Fax: +353 1 293 9999

**Turkey - Istanbul**  
Tel: +90 212 482 91 06  
Fax: +90 212 482 91 10

**Italy - Corsico, Milan**  
Tel: +39 02 4519 21  
Fax: +39 02 4479 340

**UK - Warwick**  
Tel: +44 1926 317 878  
Fax: +44 1926 317 855

**Netherlands - Oldenzaal**  
Tel: +31 541 585000  
Fax: +31 541 585459

**Ukraine - Kiev**  
Tel: + 380 44 220 7432  
Fax: + 380 44 220 6534



**Parker Hannifin plc**  
Pneumatic Division,  
Walkmill Lane, Bridgtown,  
Cannock, Staffs. WS11 0LR  
United Kingdom

We reserve the right to make  
alterations without prior notification.  
Edition 05.10